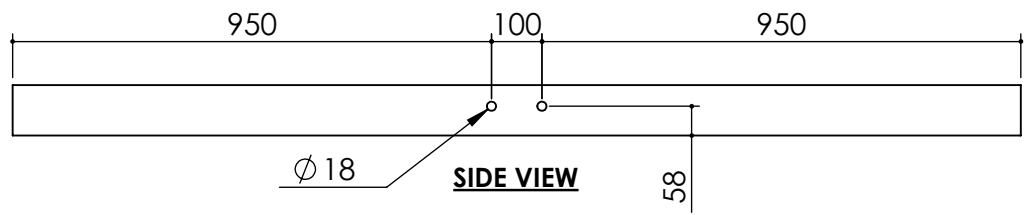


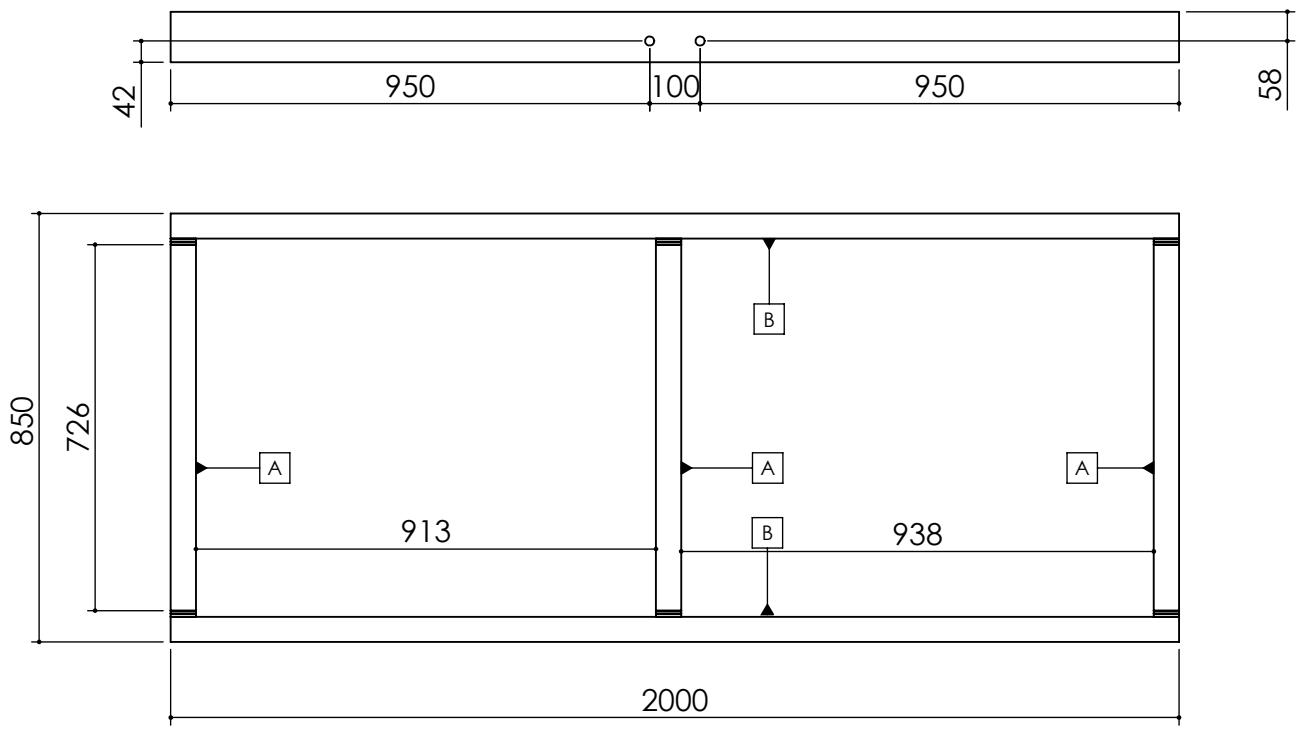
BOTTOM VIEW



SIDE VIEW

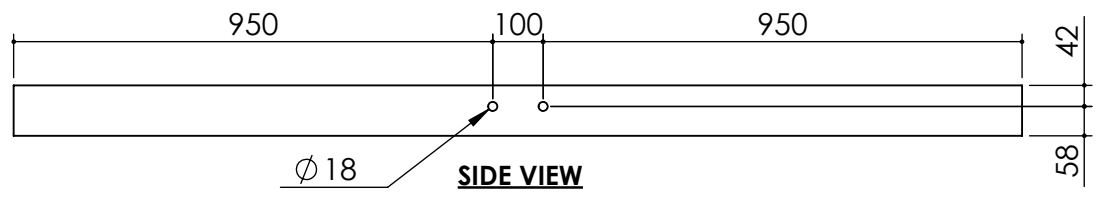
x1

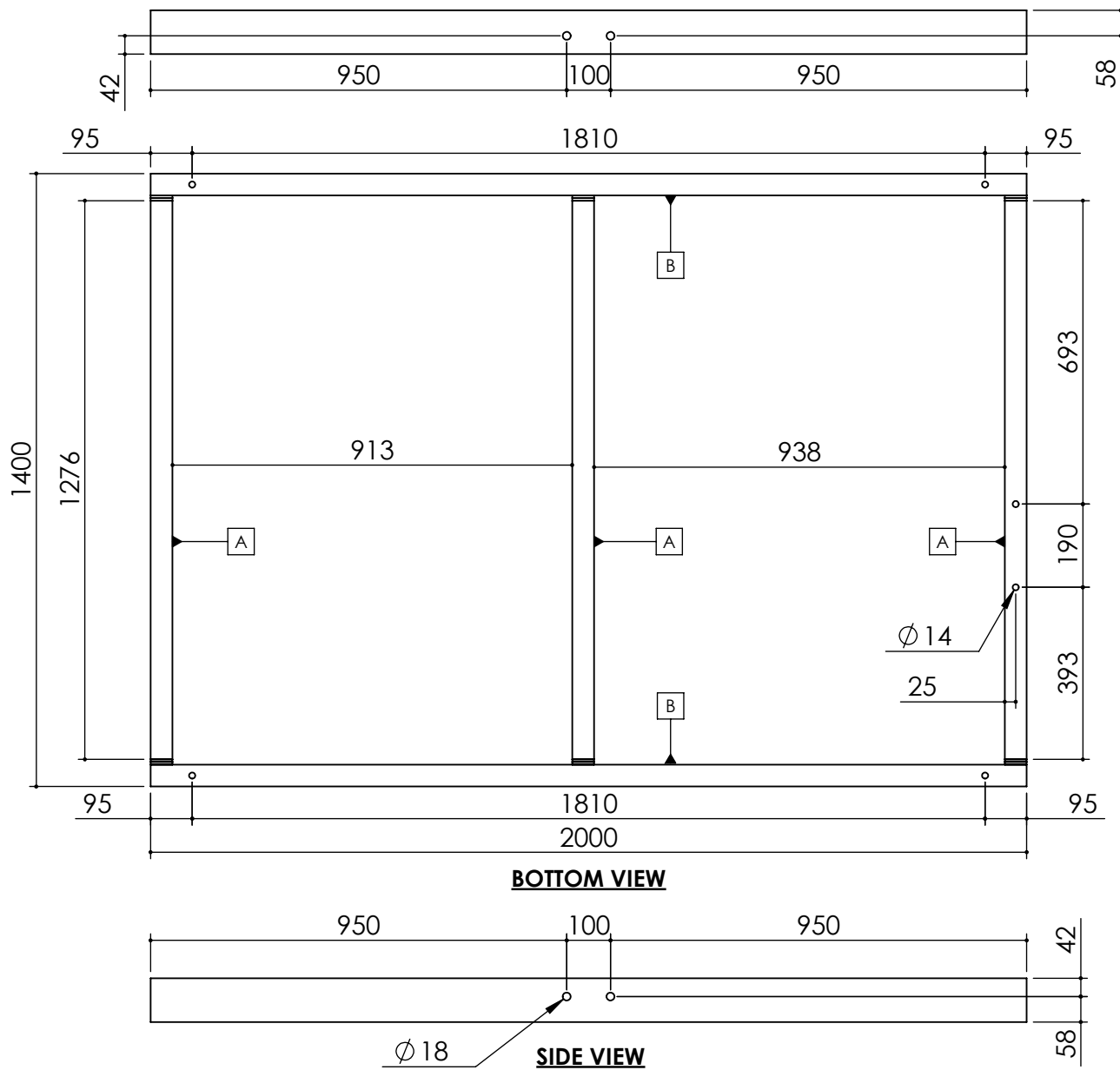
| | DESCRIPTION | LENGTH | QTY. |
|---|---|-----------------------|------|
| B | C CHANNEL 100.00 X 10 | 2000.00 | 1 |
| | PFC TO PFC CONNECTION - 100 X 50 X 6 | 100.00 X 50.00 X 6 | 12 |
| A | C CHANNEL 100.00 X 10 | 1276.00 | 3 |
| B | C CHANNEL 100.00 X 10 | 2000.00 | 1 |



| | DESCRIPTION | LENGTH | QTY. |
|---|--------------------------------------|--------------------|------|
| B | C CHANNEL 100.00 X 10 | 2000.00 | 2 |
| | PFC TO PFC CONNECTION - 100 X 50 X 6 | 100.00 X 50.00 X 6 | 12 |
| A | C CHANNEL 100.00 X 10 | 726.00 | 3 |

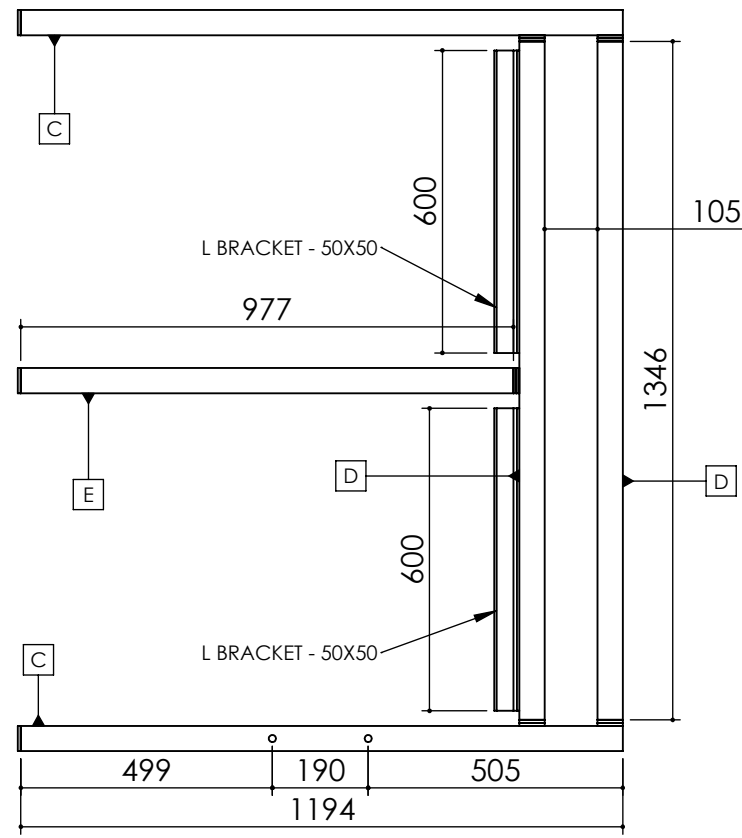
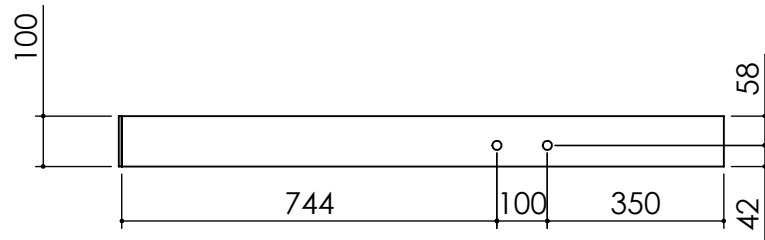
BOTTOM VIEW



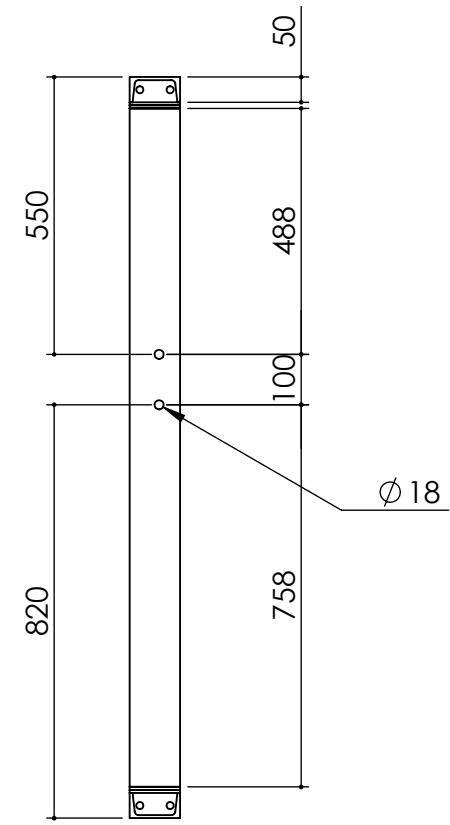


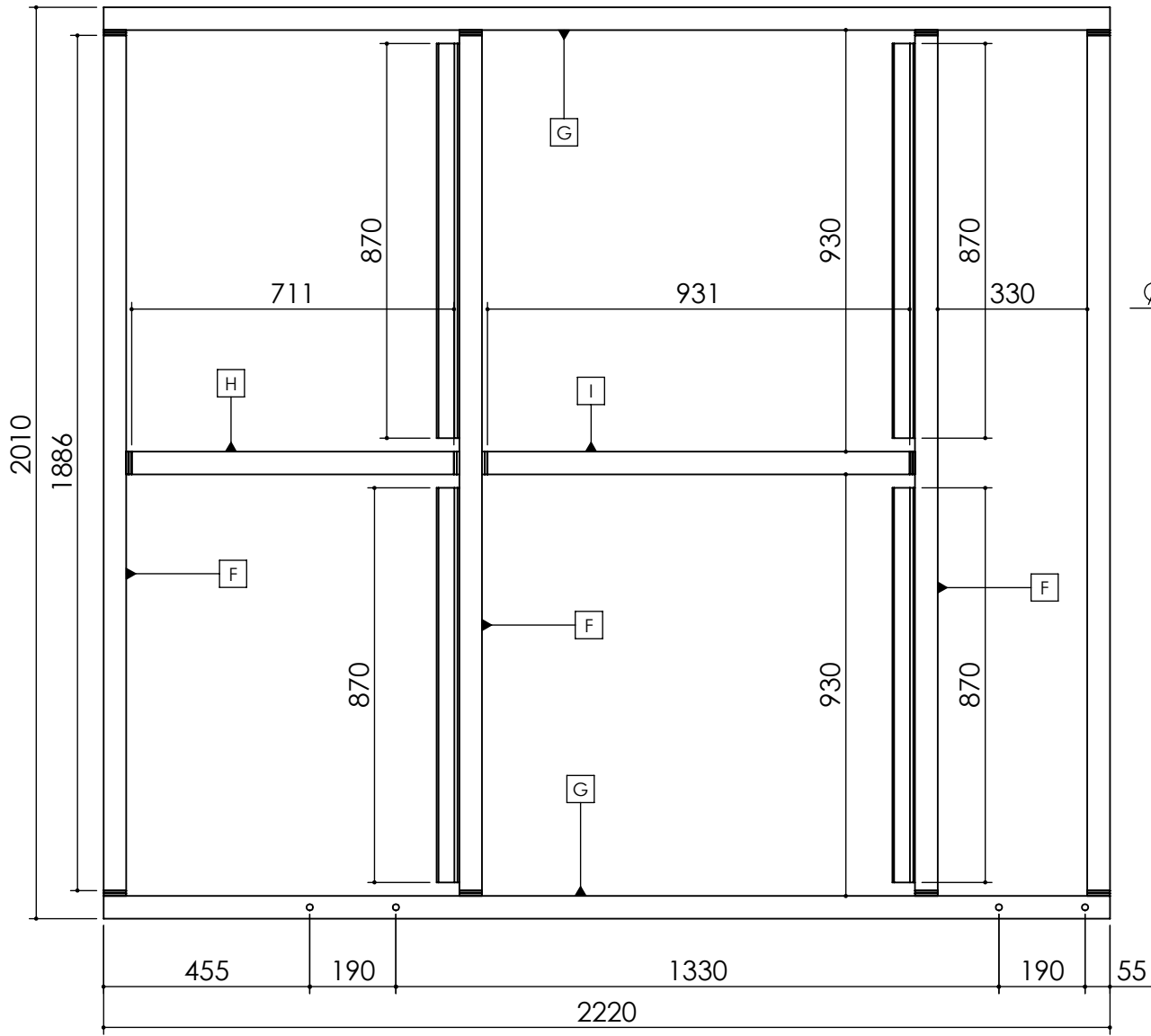
| | DESCRIPTION | LENGTH | QTY. |
|---|--------------------------------------|--------------------|------|
| B | C CHANNEL 100.00 X 10 | 2000.00 | 2 |
| | PFC TO PFC CONNECTION - 100 X 50 X 6 | 100.00 X 50.00 X 6 | 12 |
| A | C CHANNEL 100.00 X 10 | 1276.00 | 2 |
| A | C CHANNEL 100.00 X 10 | 1276.00 | 1 |

| | DESCRIPTION | LENGTH | QTY. |
|---|--------------------------------------|--------------------|------|
| C | C CHANNEL 100.00 X 10 | 1194.00 | 1 |
| | PFC TO PFC CONNECTION - 100 X 50 X 6 | 100.00 X 50.00 X 6 | 13 |
| E | CH 100 x 10 | 977.00 | 1 |
| | 50x50x5 | 600.00 | 2 |
| D | C CHANNEL 100.00 X 10 | 1346.00 | 1 |
| D | C CHANNEL 100.00 X 10 | 1346.00 | 1 |
| C | C CHANNEL 100.00 X 10 | 1194.00 | 1 |

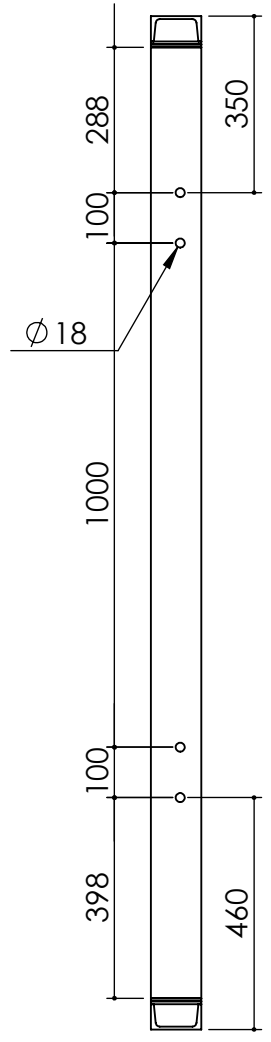


BOTTOM VIEW

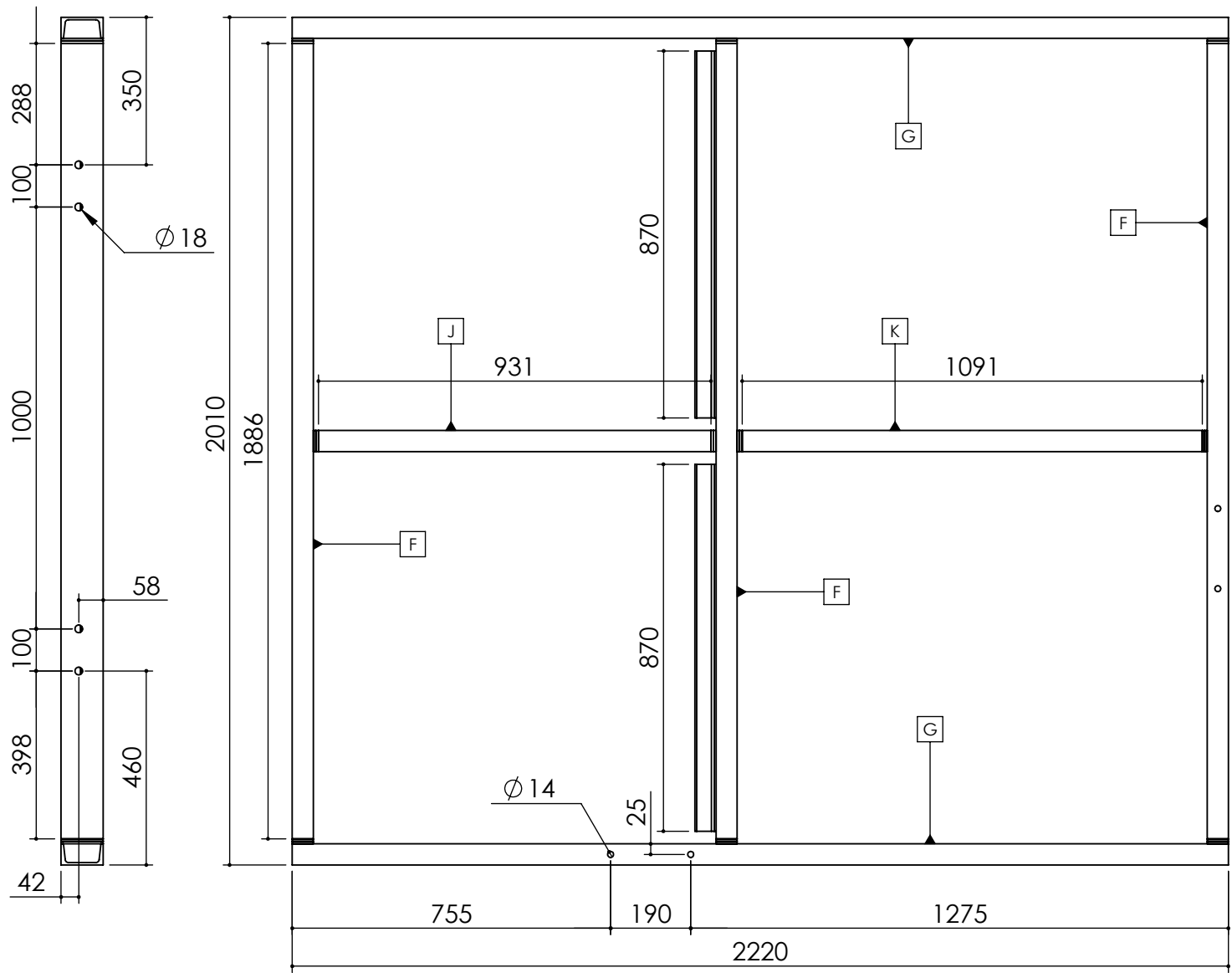




BOTTOM VIEW

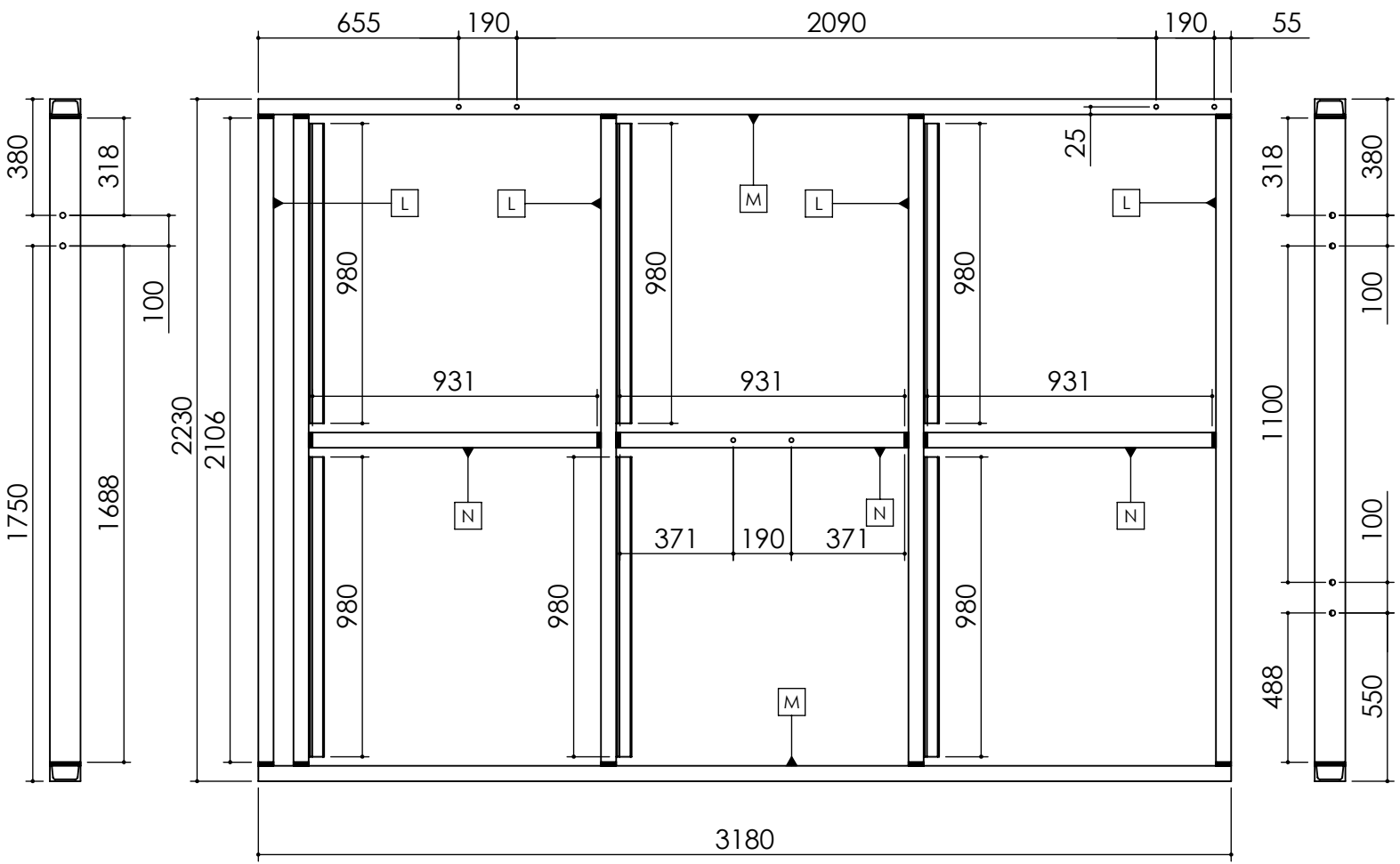


| | DESCRIPTION | LENGTH | QTY. |
|---|---|-----------------------|------|
| G | C CHANNEL 100.00 X 10 | 2220.00 | 1 |
| | PFC TO PFC CONNECTION - 100 X 50 X 6 | 100.00 X 50.00 X 6 | 24 |
| H | CH 100 x 10 | 711.00 | 1 |
| I | CH 100 x 10 | 931.00 | 1 |
| | 50x50x4 | 870.00 | 4 |
| F | C CHANNEL 100.00 X 10 | 1886.00 | 3 |
| F | C CHANNEL 100.00 X 10 | 1886.00 | 1 |
| | C CHANNEL 100.00 X 10 | 2220.00 | 1 |



BOTTOM VIEW

| | DESCRIPTION | LENGTH | QTY. |
|---|---|-----------------------|------|
| G | C CHANNEL 100.00 X 10 | 2220.00 | 1 |
| | PFC TO PFC CONNECTION - 100 X 50 X 6 | 100.00 X 50.00 X 6 | 20 |
| | 50x50x4 | 870.00 | 2 |
| F | C CHANNEL 100.00 X 10 | 1886.00 | 1 |
| J | CH 100 x 10 | 931.00 | 1 |
| K | CH 100 x 10 | 1091.00 | 1 |
| F | C CHANNEL 100.00 X 10 | 1886.00 | 1 |
| F | C CHANNEL 100.00 X 10 | 1886.00 | 1 |
| G | C CHANNEL 100.00 X 10 | 2220.00 | 1 |

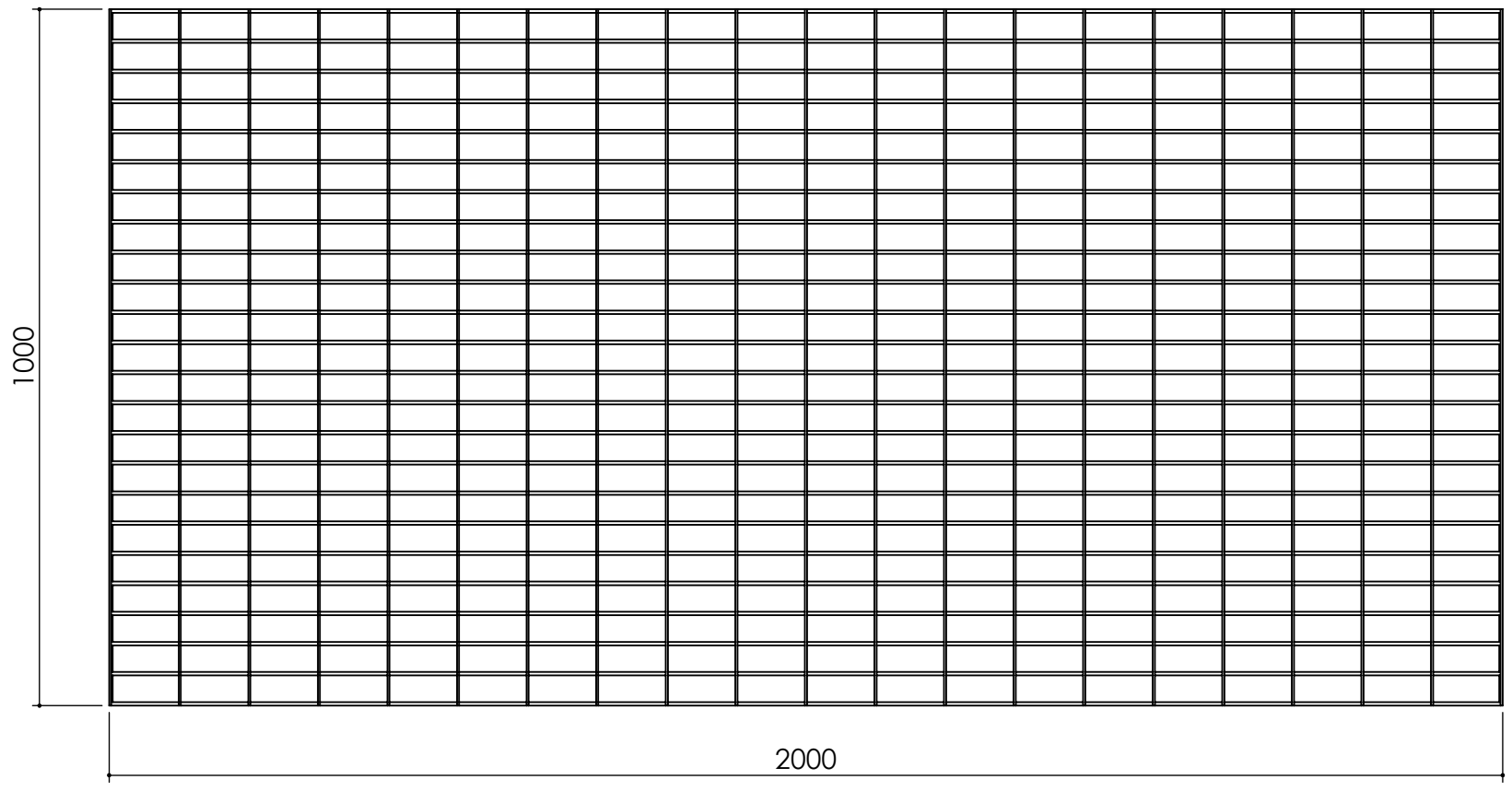


BOTTOM VIEW

| | DESCRIPTION | LENGTH | QTY. |
|---|---|-----------------------|------|
| M | C CHANNEL 100.00 X 10 | 3180.00 | 1 |
| | PFC TO PFC CONNECTION - 100 X 50 X 6 | 100.00 X 50.00 X 6 | 32 |
| L | C CHANNEL 100.00 X 10 | 2106.00 | 3 |
| N | CH 100 x 10 | 931.00 | 2 |
| | 50x50x4 | 980.00 | 6 |
| L | C CHANNEL 100.00 X 10 | 2106.00 | 1 |
| N | CH 100 x 10 | 931.00 | 1 |
| L | C CHANNEL 100.00 X 10 | 2106.00 | 1 |
| M | C CHANNEL 100.00 X 10 | 3180.00 | 1 |

15 14 13 12 11 10 9 8 7 6 5 4 3

REDACTED



REDACTED

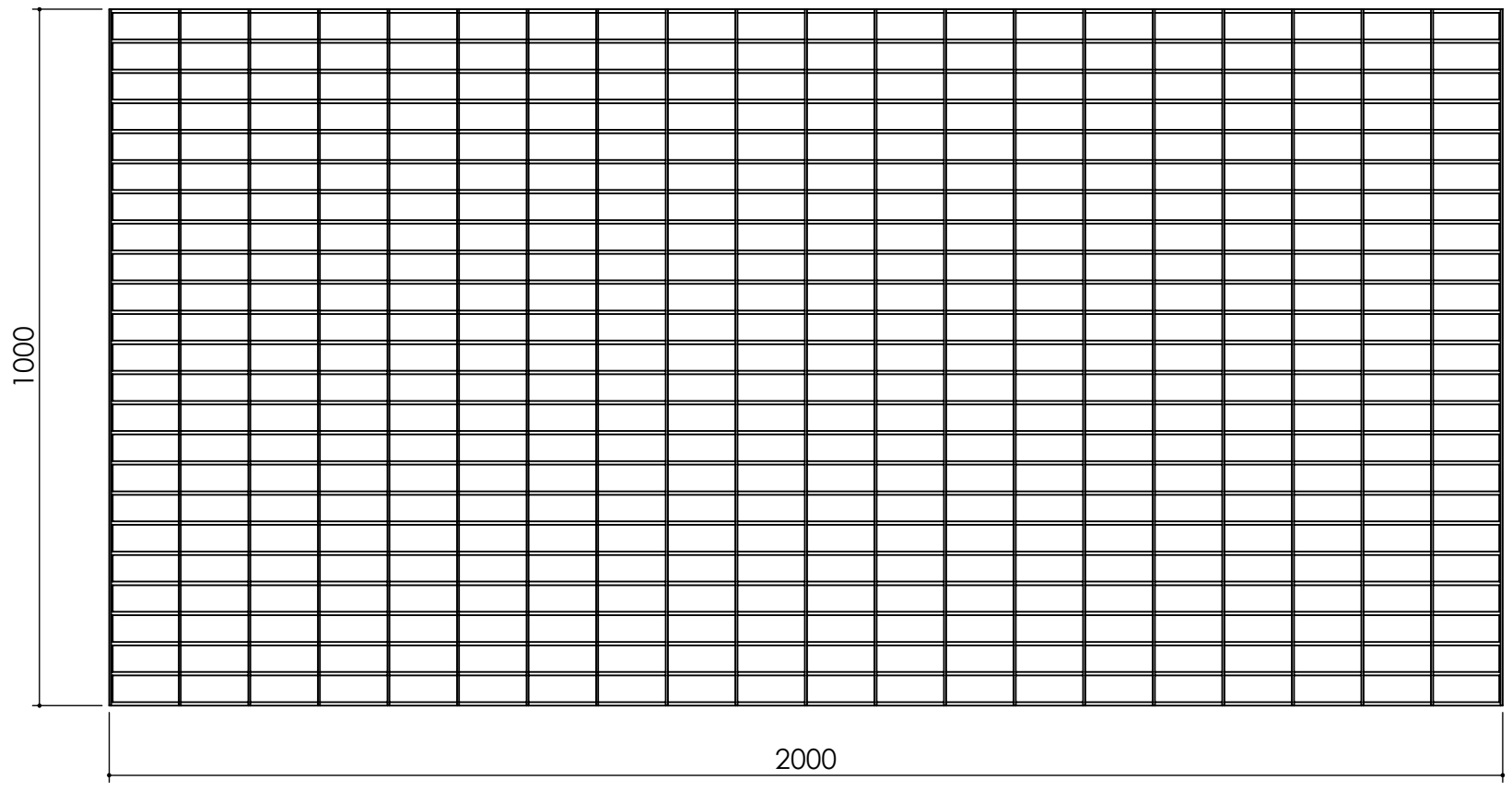
R
P
N
M
L
K
J
H
G
F
E
D
C

P
N
M
L
K
J
H
G
F
E
D
C

15 14 13 12 11 10 9 8 7 6 5 4 3

R
P
N
M
L
K
J
H
G
F
E
D
C

REDACTED



REDACTED

P
N
M
L
K
J
H
G
F
E
D
C

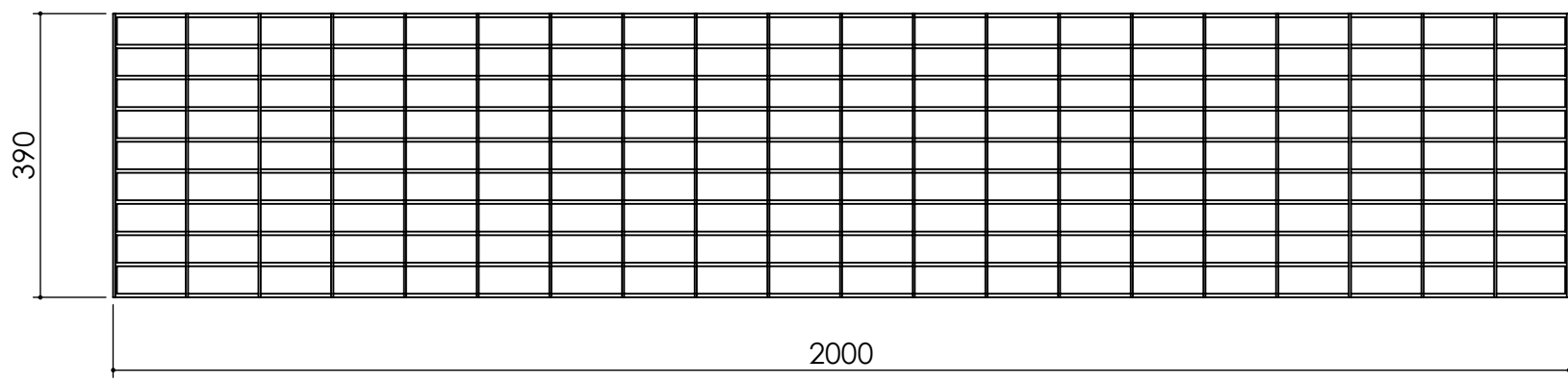
15 14 13 12 11 10 9 8 7 6 5 4 3

R
P
N
M
L
K
J
H
G
F
E
D
C

I

REDACTED

P
N
M
L
K
J
H
G
F
E
D
C



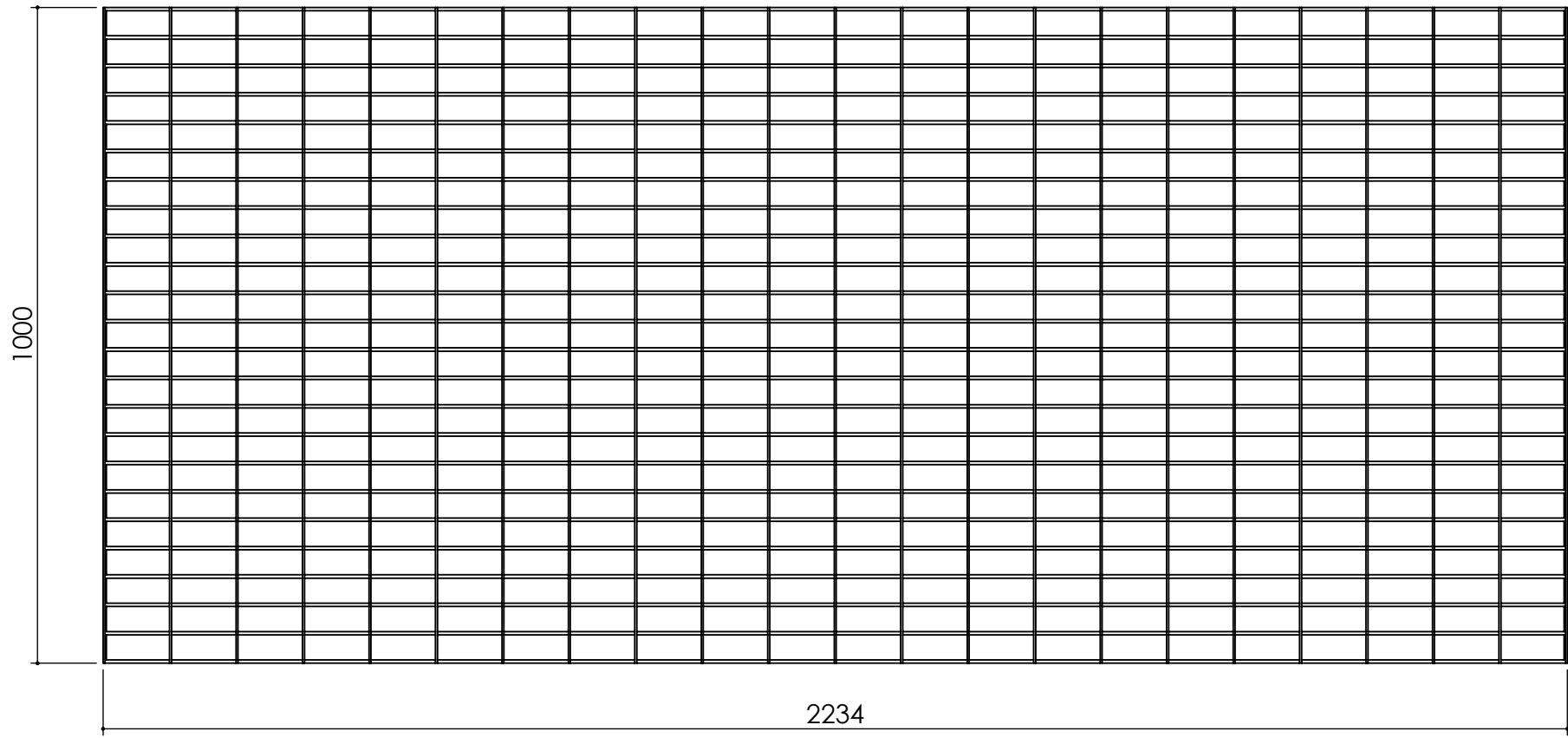
REDACTED

15 14 13 12 11 10 9 8 7 6 5 4 3

REDACTED

R
P
N
M
L
K
J
H
G
F
E
D
C

P
N
M
L
K
J
H
G
F
E
D
C

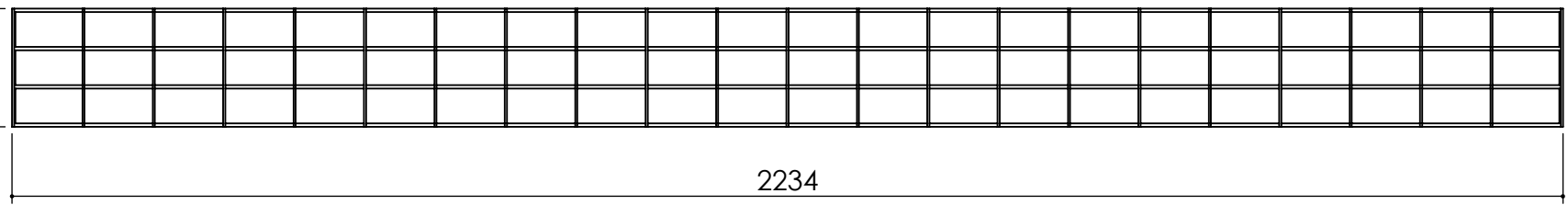


REDACTED

| | | | | | | | | | | | | | | | |
|----|----|----|----|----|----|---|---|---|---|---|---|---|---|----------|---|
| 15 | 14 | 13 | 12 | 11 | 10 | 9 | 8 | 7 | 6 | 5 | 4 | 3 | I | REDACTED | |
| R | | | | | | | | | | | | | | | |
| P | | | | | | | | | | | | | | | P |
| N | | | | | | | | | | | | | | | N |
| M | | | | | | | | | | | | | | | M |
| L | | | | | | | | | | | | | | | L |
| K | | | | | | | | | | | | | | | K |
| J | | | | | | | | | | | | | | | J |
| H | | | | | | | | | | | | | | | H |
| G | | | | | | | | | | | | | | | G |
| F | | | | | | | | | | | | | | | F |
| E | | | | | | | | | | | | | | | E |
| D | | | | | | | | | | | | | | | D |
| C | | | | | | | | | | | | | | | C |

170

2234

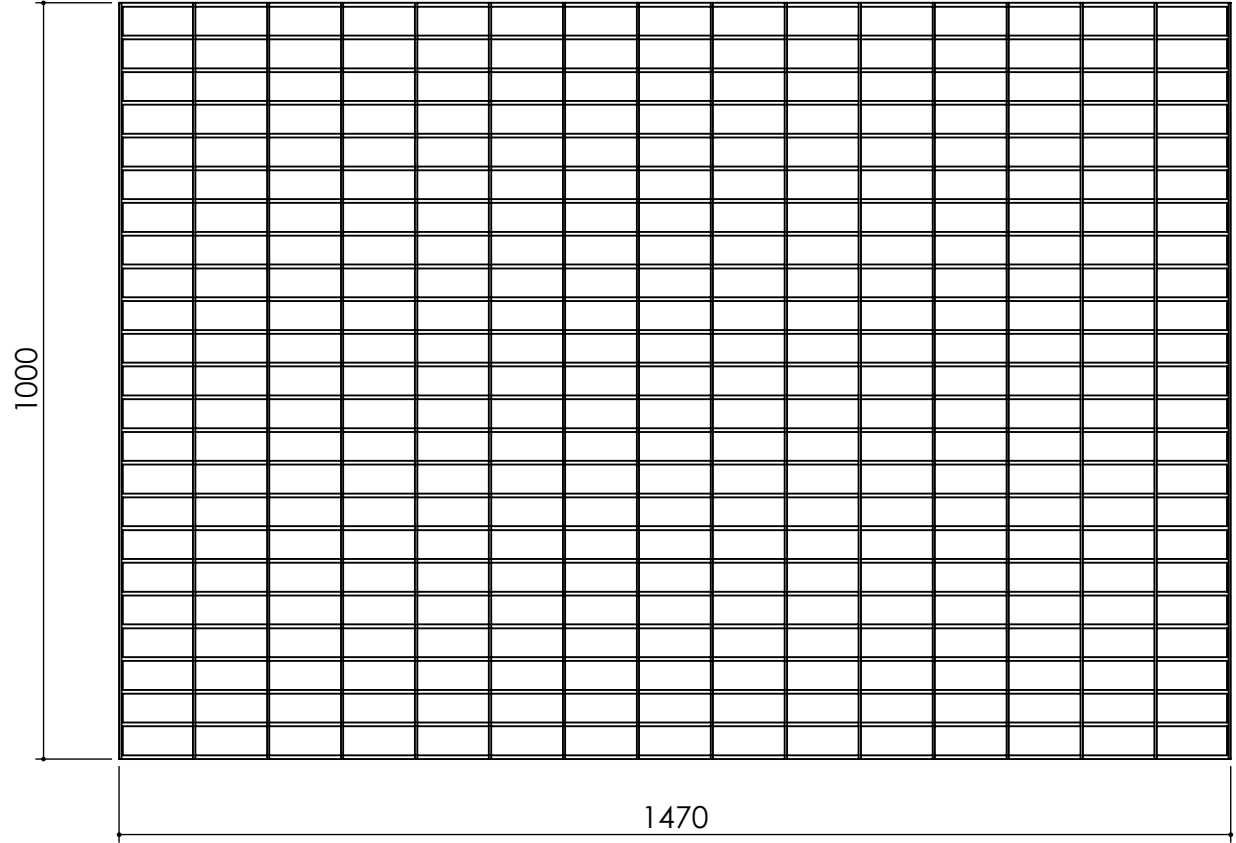


REDACTED

15 14 13 12 11 10 9 8 7 6 5 4 3

R
P
N
M
L
K
J
H
G
F
E
D
C

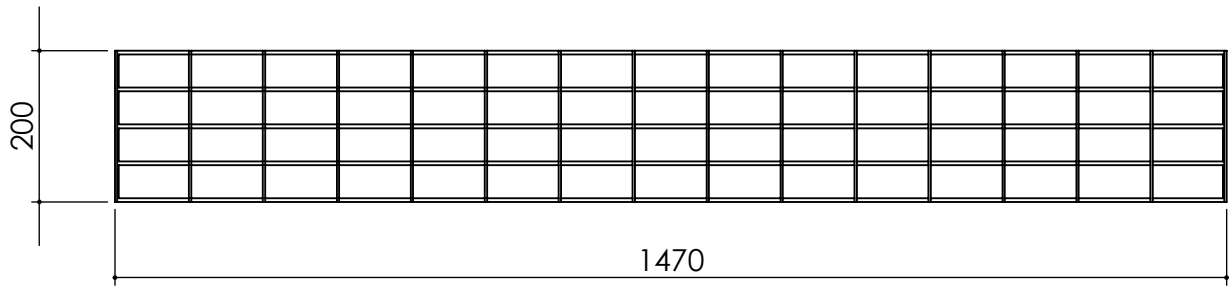
REDACTED



P
N
M
L
K
J
H
G
F
E
D
C

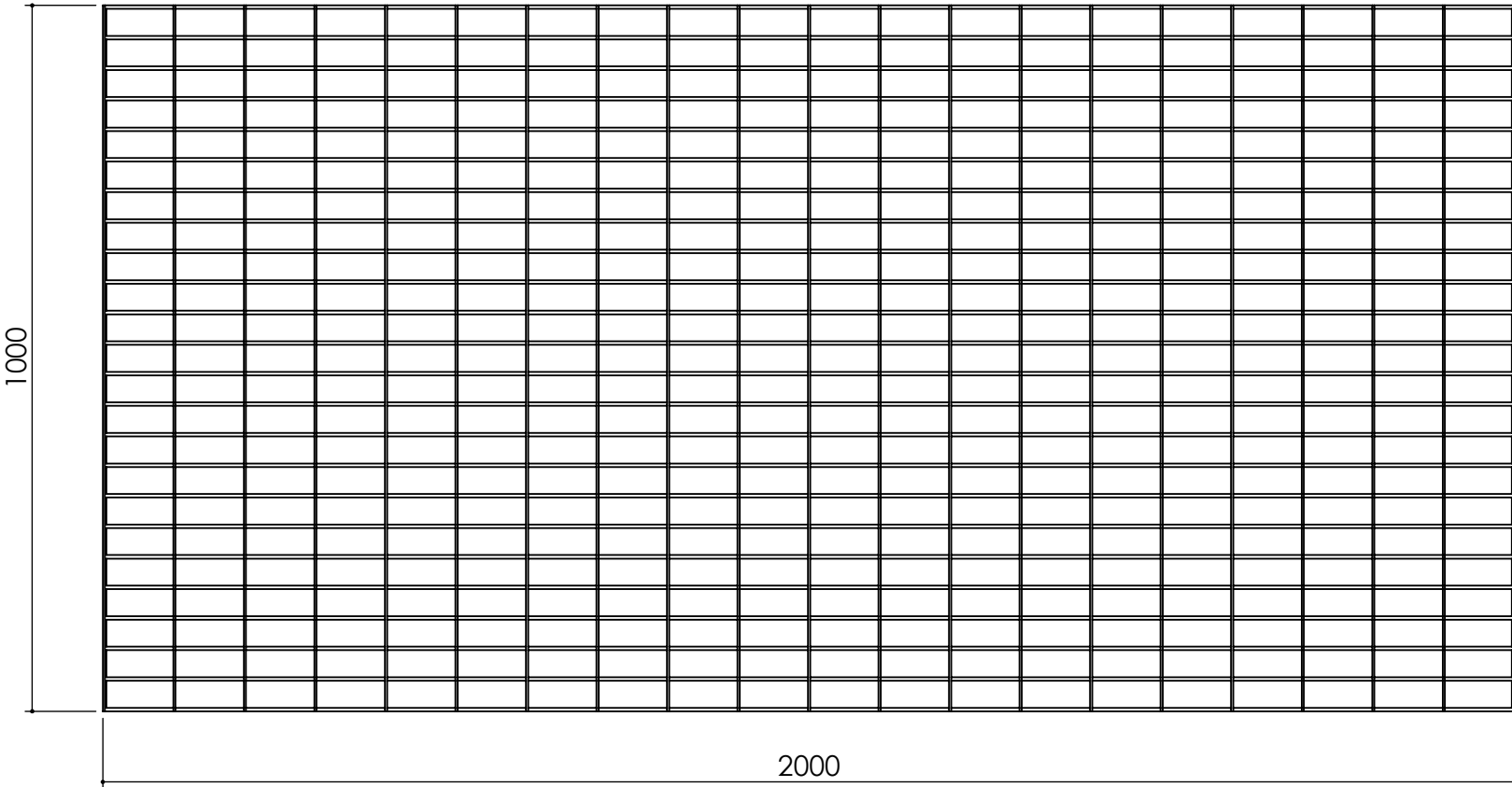
REDACTED

| | | | | | | | | | | | | | | | |
|----|----|----|----|----|----|---|---|---|---|---|---|---|---|----------|---|
| 15 | 14 | 13 | 12 | 11 | 10 | 9 | 8 | 7 | 6 | 5 | 4 | 3 | I | REDACTED | |
| R | | | | | | | | | | | | | | | |
| P | | | | | | | | | | | | | | | P |
| N | | | | | | | | | | | | | | | N |
| M | | | | | | | | | | | | | | | M |
| L | | | | | | | | | | | | | | | L |
| K | | | | | | | | | | | | | | | K |
| J | | | | | | | | | | | | | | | J |
| H | | | | | | | | | | | | | | | H |
| G | | | | | | | | | | | | | | | G |
| F | | | | | | | | | | | | | | | F |
| E | | | | | | | | | | | | | | | E |
| D | | | | | | | | | | | | | | | D |
| C | | | | | | | | | | | | | | | C |



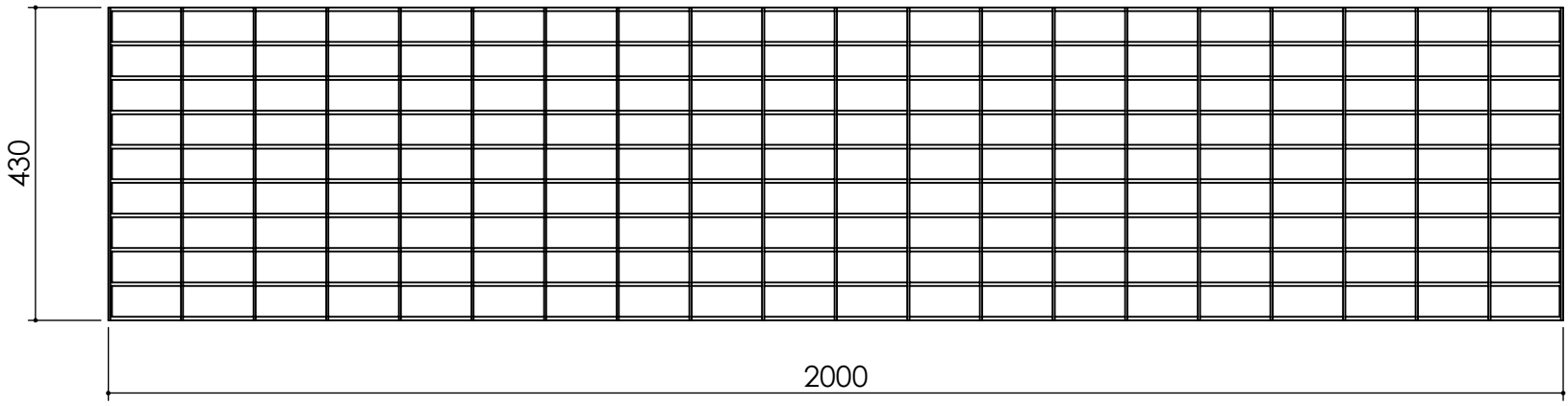
REDACTED

REDACTED



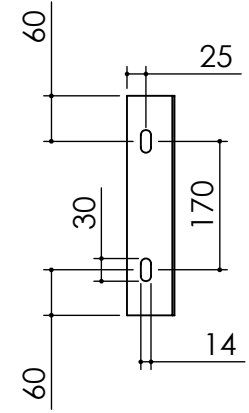
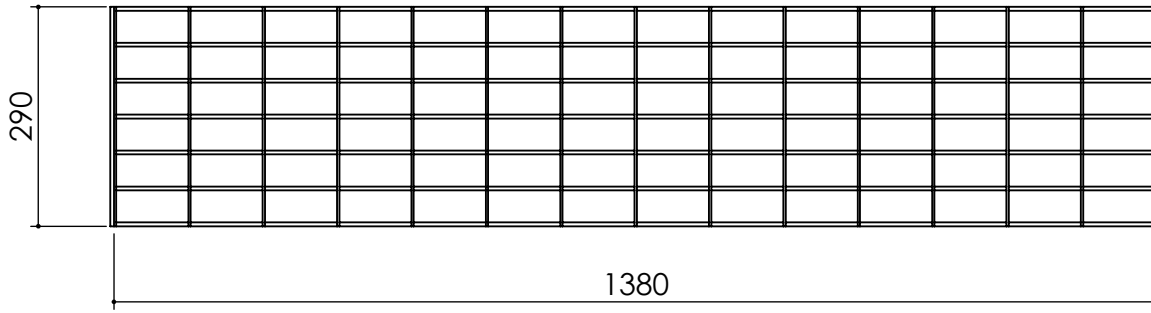
REDACTED

| | | | | | | | | | | | | | | | |
|----|----|----|----|----|----|---|---|---|---|---|---|---|---|----------|---|
| 15 | 14 | 13 | 12 | 11 | 10 | 9 | 8 | 7 | 6 | 5 | 4 | 3 | I | REDACTED | |
| R | | | | | | | | | | | | | | | |
| P | | | | | | | | | | | | | | | P |
| N | | | | | | | | | | | | | | | N |
| M | | | | | | | | | | | | | | | M |
| L | | | | | | | | | | | | | | | L |
| K | | | | | | | | | | | | | | | K |
| J | | | | | | | | | | | | | | | J |
| H | | | | | | | | | | | | | | | H |
| G | | | | | | | | | | | | | | | G |
| F | | | | | | | | | | | | | | | F |
| E | | | | | | | | | | | | | | | E |
| D | | | | | | | | | | | | | | | D |
| C | | | | | | | | | | | | | | | C |

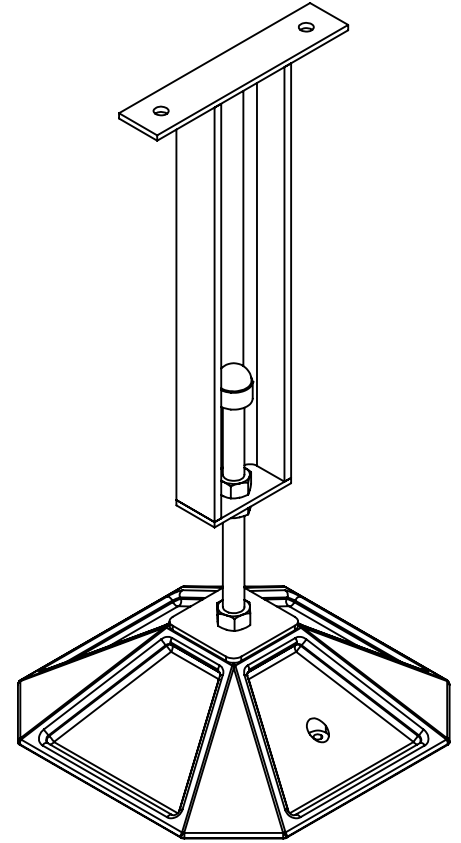
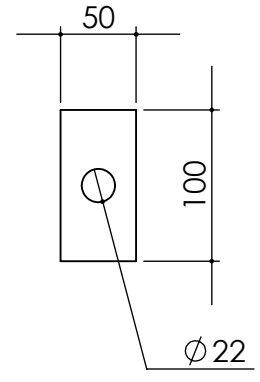
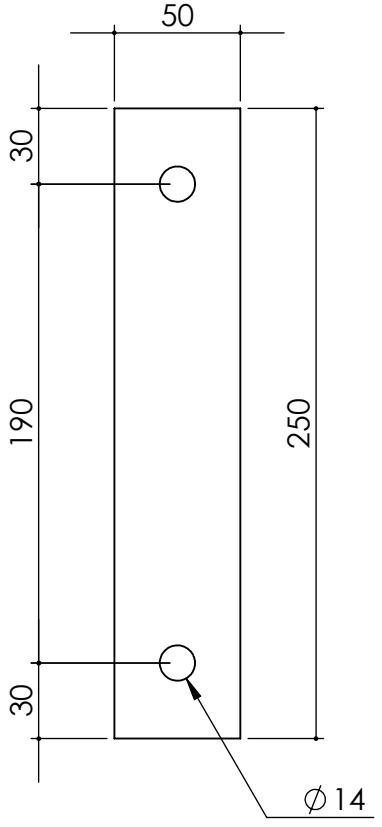
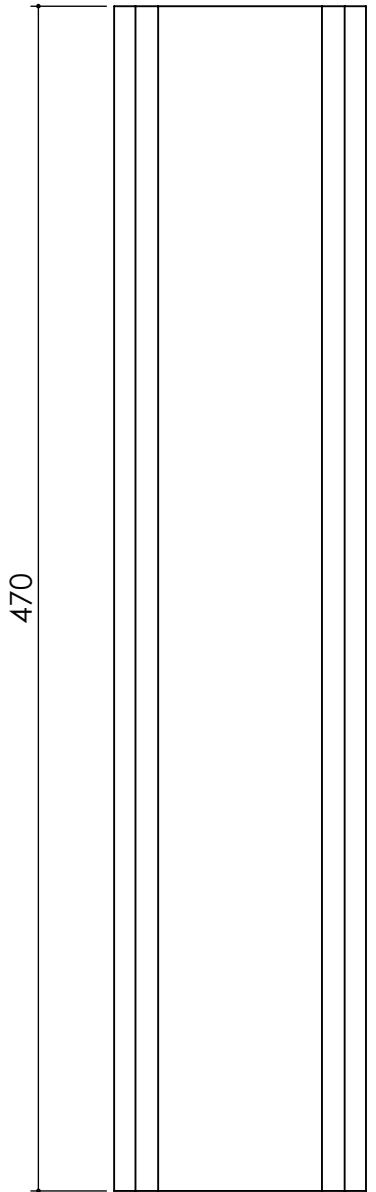


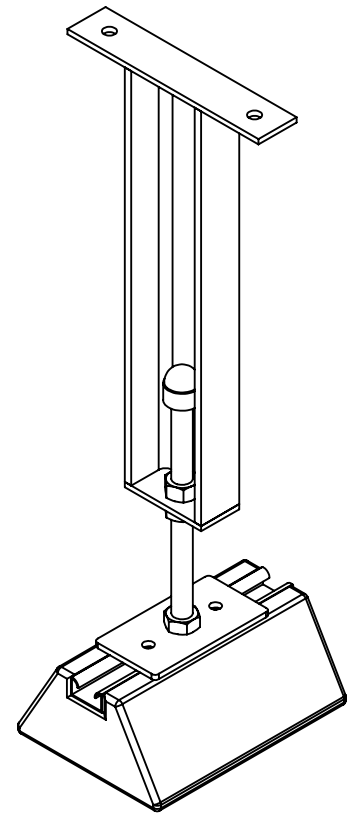
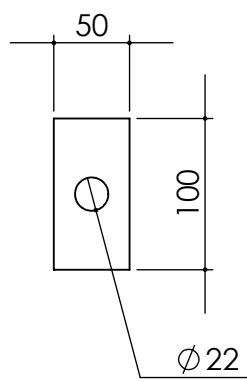
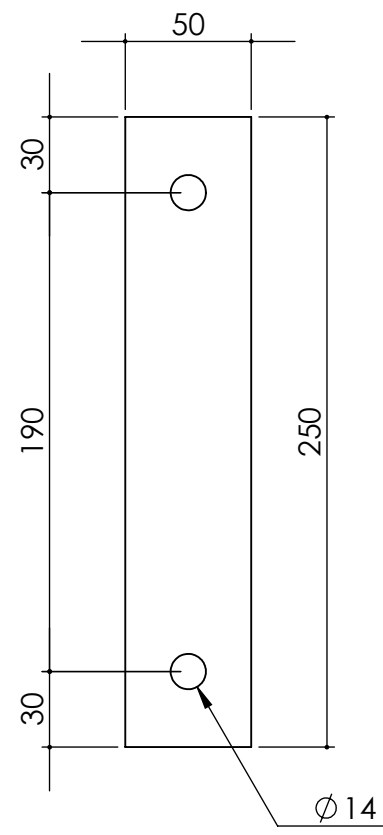
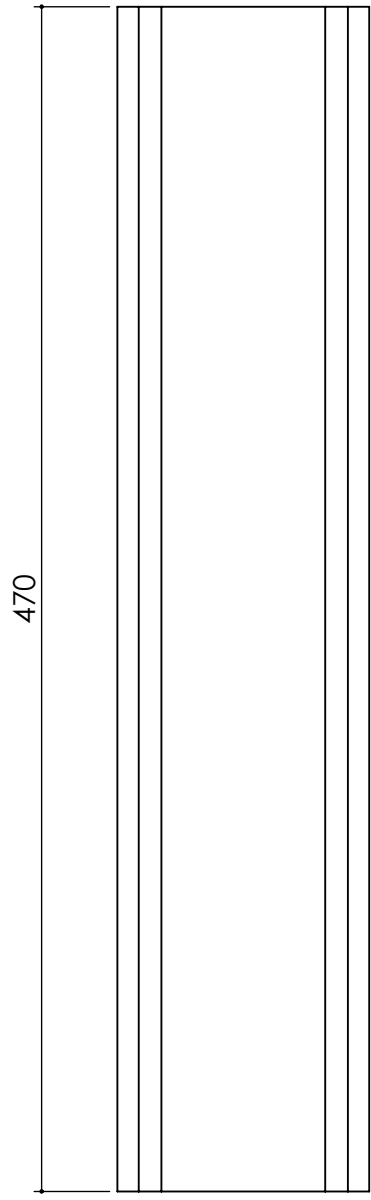
REDACTED

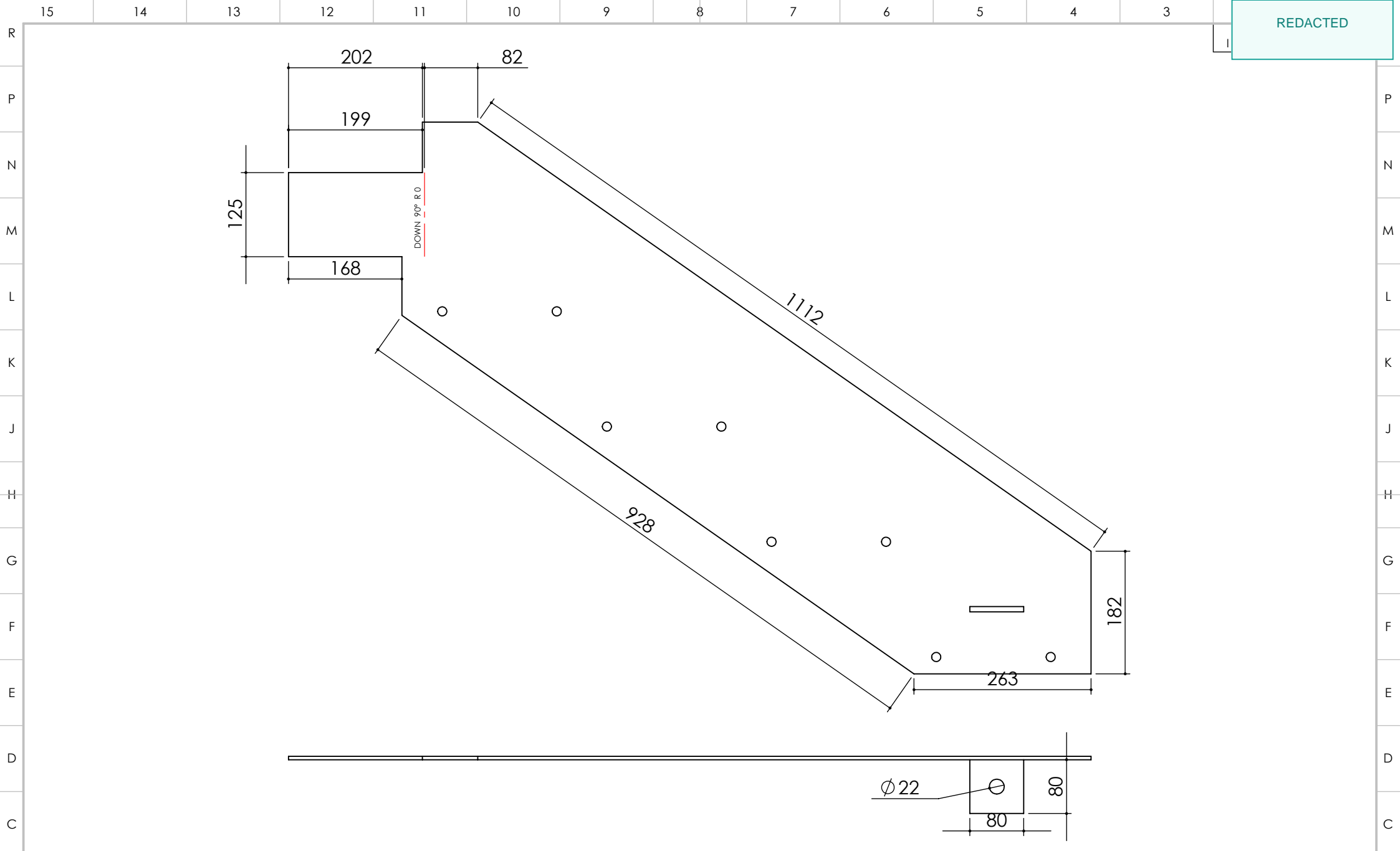
| | | | | | | | | | | | | | | |
|----|----|----|----|----|----|---|---|---|---|---|---|---|---|----------|
| 15 | 14 | 13 | 12 | 11 | 10 | 9 | 8 | 7 | 6 | 5 | 4 | 3 | I | REDACTED |
| R | | | | | | | | | | | | | | |
| P | | | | | | | | | | | | | | P |
| N | | | | | | | | | | | | | | N |
| M | | | | | | | | | | | | | | M |
| L | | | | | | | | | | | | | | L |
| K | | | | | | | | | | | | | | K |
| J | | | | | | | | | | | | | | J |
| H | | | | | | | | | | | | | | H |
| G | | | | | | | | | | | | | | G |
| F | | | | | | | | | | | | | | F |
| E | | | | | | | | | | | | | | E |
| D | | | | | | | | | | | | | | D |
| C | | | | | | | | | | | | | | C |



REDACTED

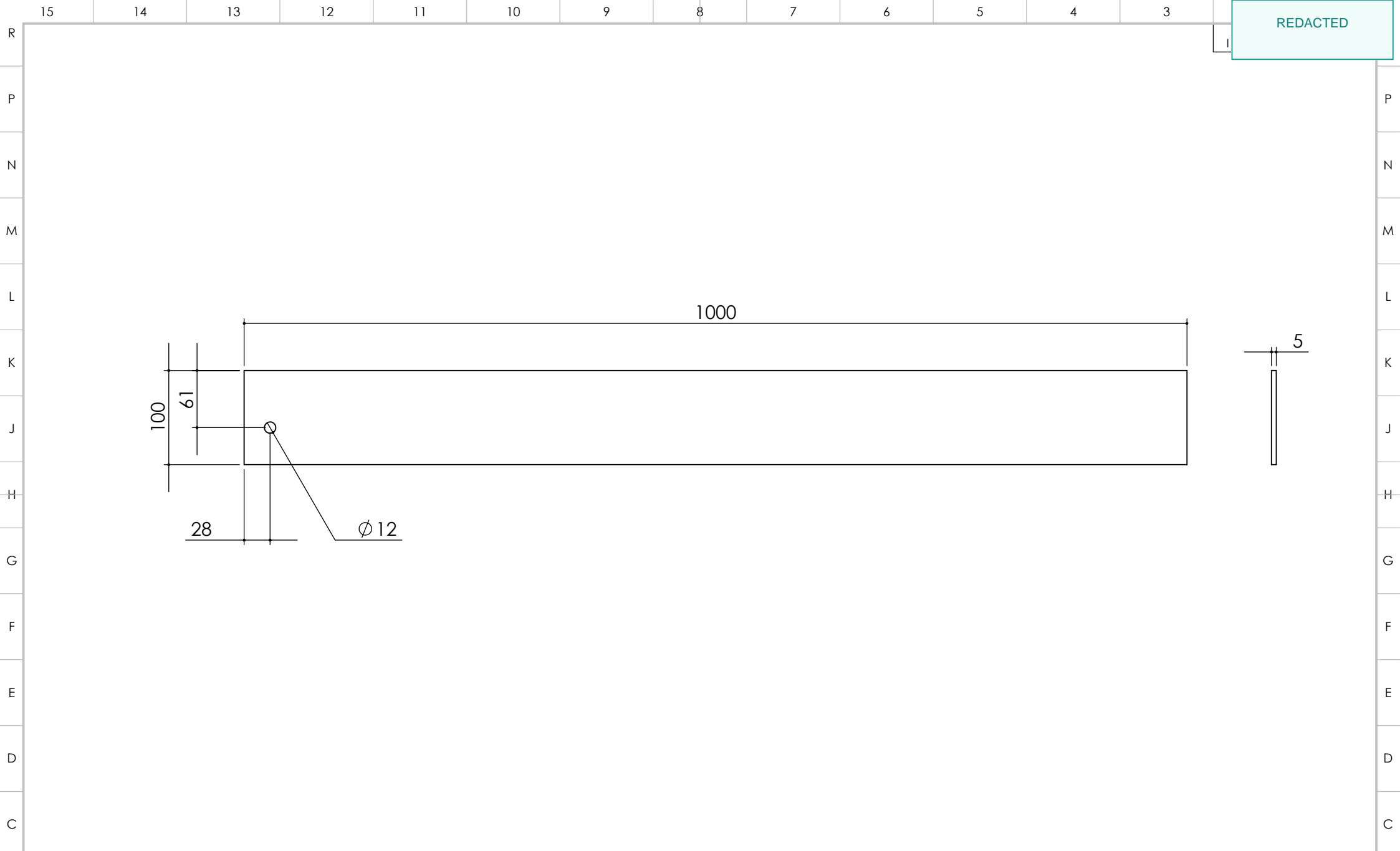






REDACTED

REDACTED



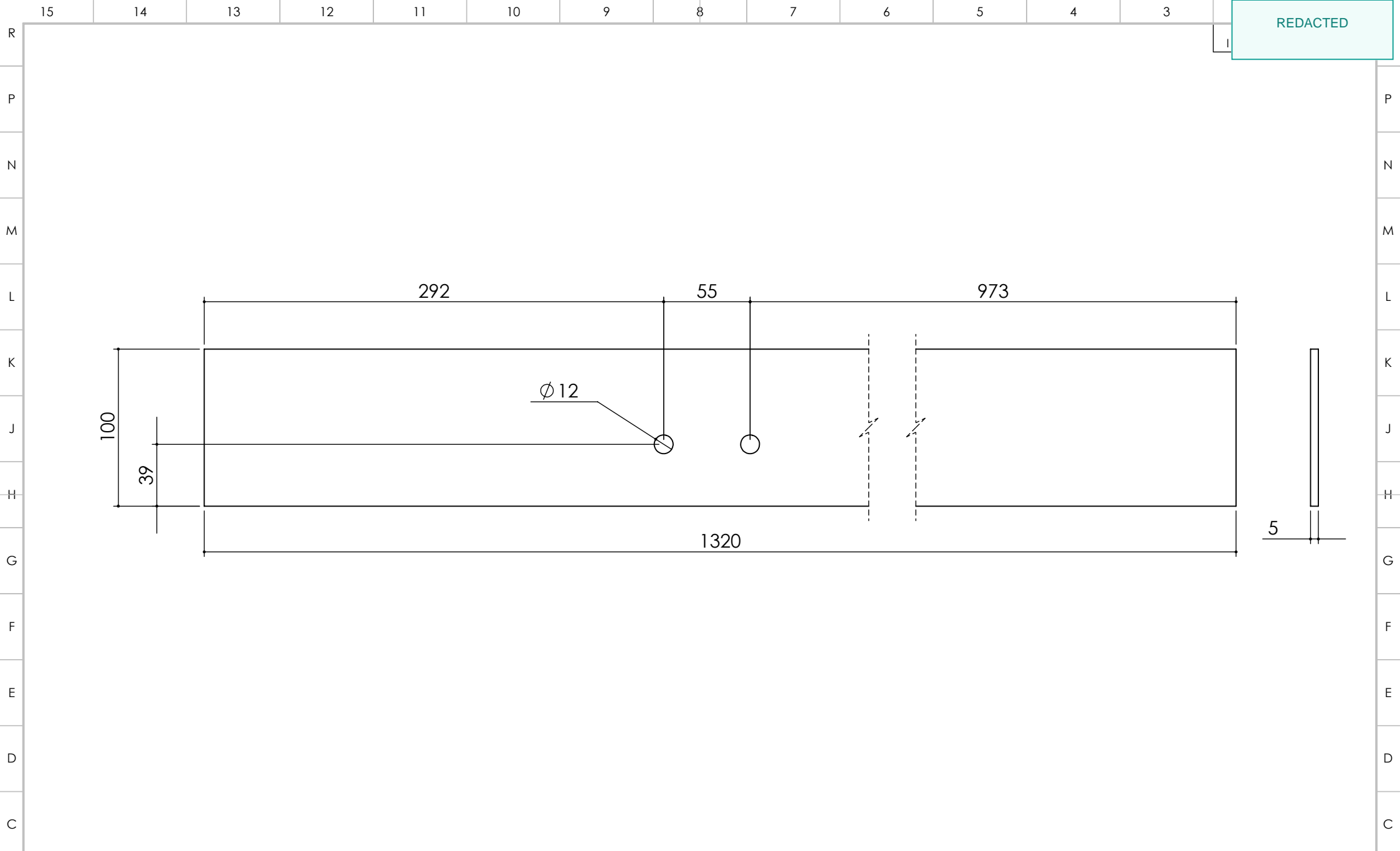
REDACTED

REDACTED



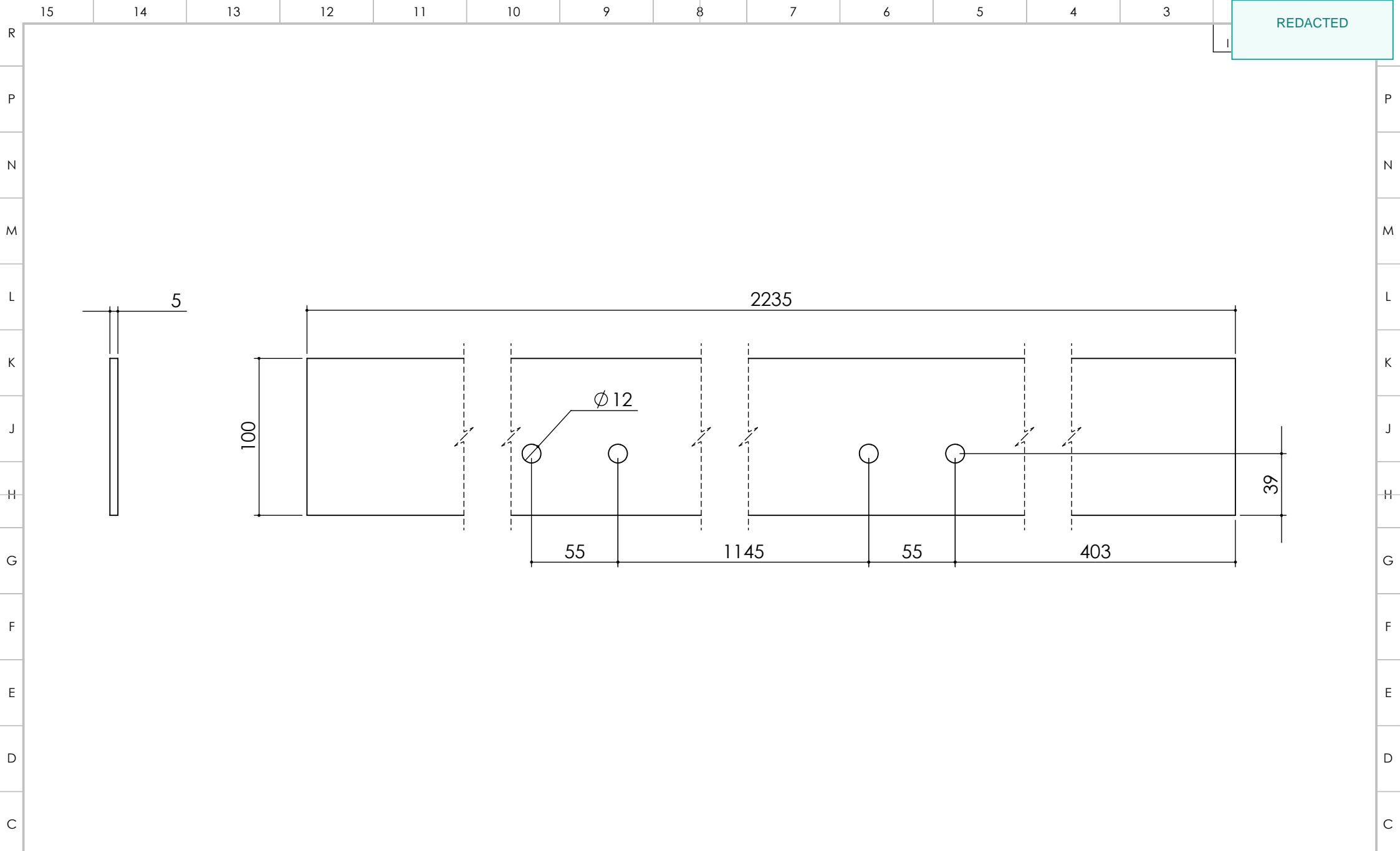
REDACTED

REDACTED



REDACTED

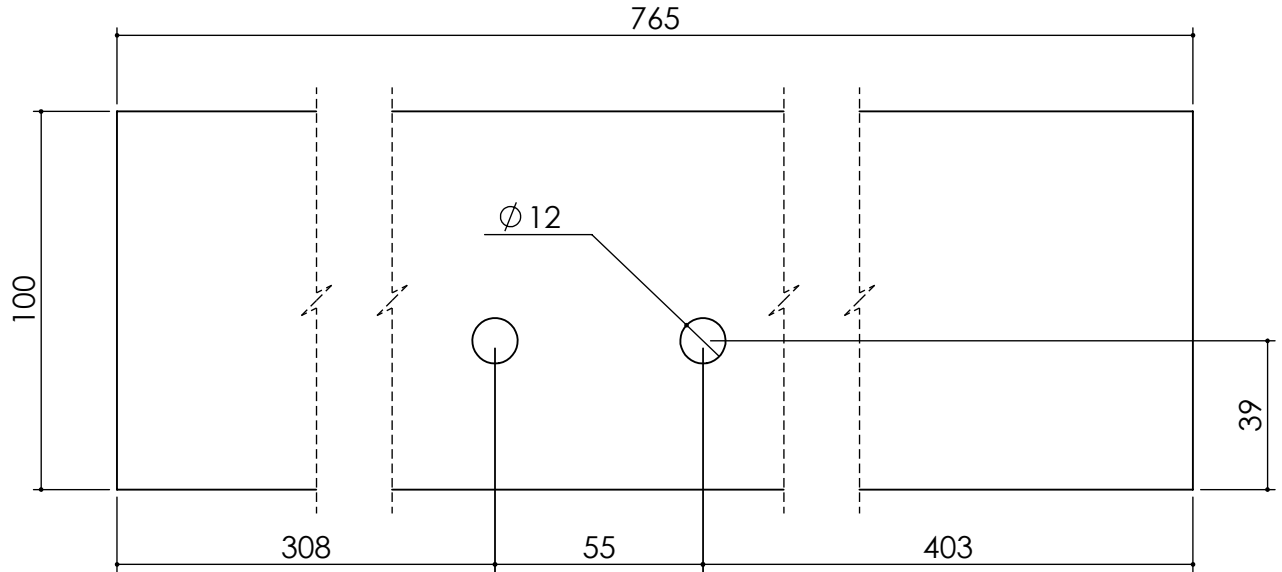
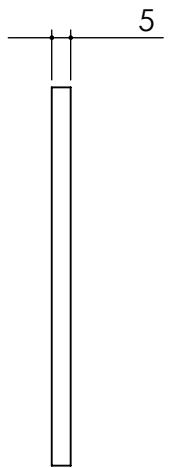
REDACTED



REDACTED

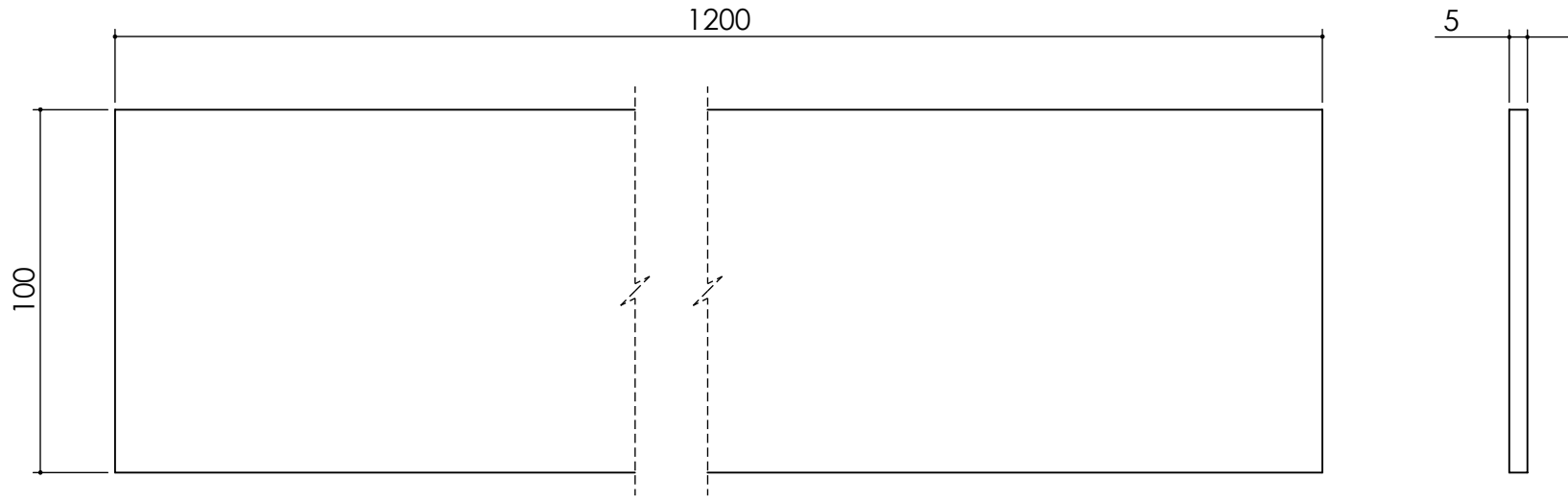
REDACTED

| | | | | | | | | | | | | | | |
|----|----|----|----|----|----|---|---|---|---|---|---|---|--|----------|
| 15 | 14 | 13 | 12 | 11 | 10 | 9 | 8 | 7 | 6 | 5 | 4 | 3 | | |
| R | | | | | | | | | | | | | | REDACTED |
| P | | | | | | | | | | | | | | |
| N | | | | | | | | | | | | | | |
| M | | | | | | | | | | | | | | |
| L | | | | | | | | | | | | | | |
| K | | | | | | | | | | | | | | |
| J | | | | | | | | | | | | | | |
| H | | | | | | | | | | | | | | |
| G | | | | | | | | | | | | | | |
| F | | | | | | | | | | | | | | |
| E | | | | | | | | | | | | | | |
| D | | | | | | | | | | | | | | |
| C | | | | | | | | | | | | | | |

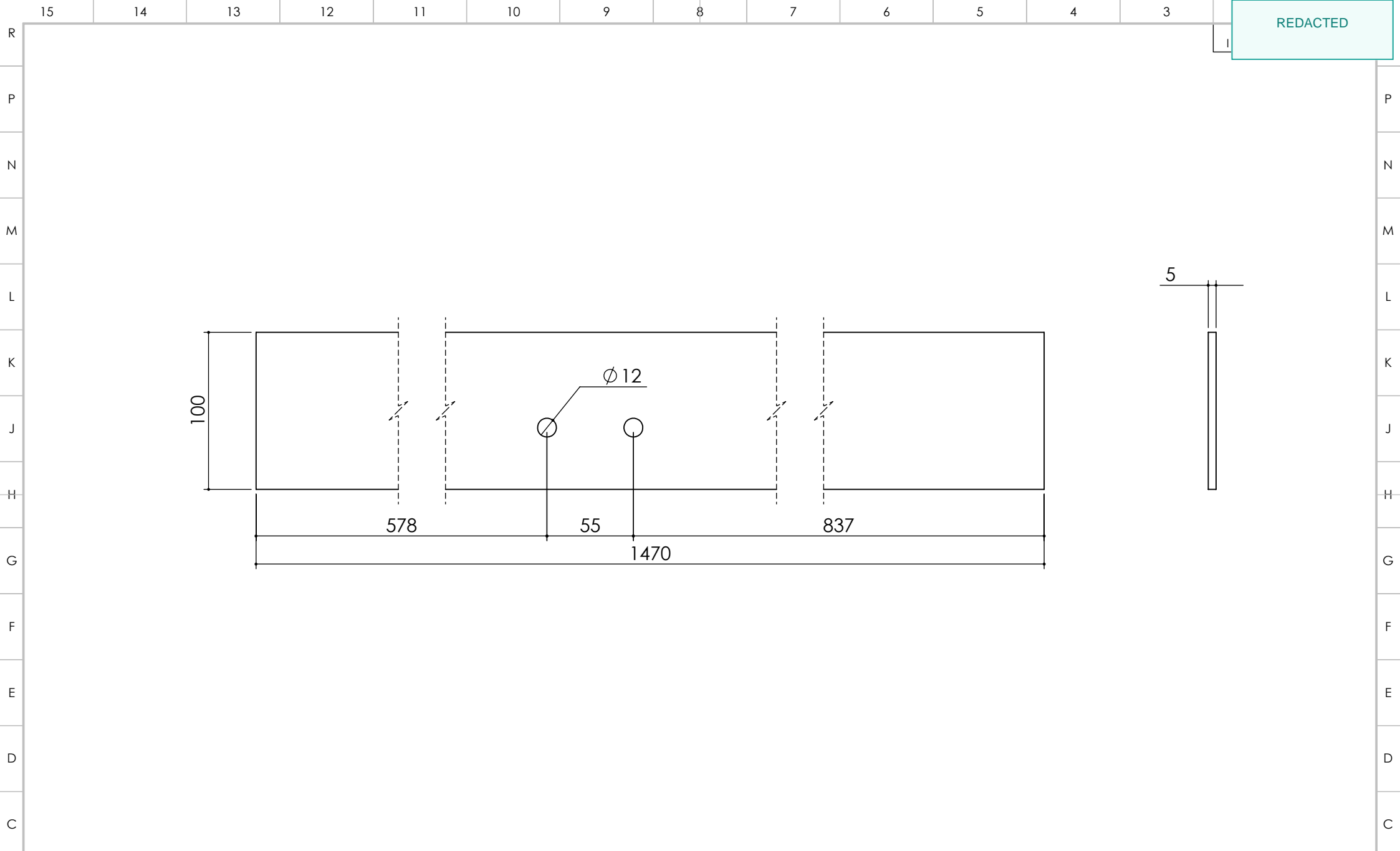


REDACTED

| | | | | | | | | | | | | | | |
|----|----|----|----|----|----|---|---|---|---|---|---|---|---|----------|
| 15 | 14 | 13 | 12 | 11 | 10 | 9 | 8 | 7 | 6 | 5 | 4 | 3 | I | REDACTED |
| R | | | | | | | | | | | | | | |
| P | | | | | | | | | | | | | | P |
| N | | | | | | | | | | | | | | N |
| M | | | | | | | | | | | | | | M |
| L | | | | | | | | | | | | | | L |
| K | | | | | | | | | | | | | | K |
| J | | | | | | | | | | | | | | J |
| H | | | | | | | | | | | | | | H |
| G | | | | | | | | | | | | | | G |
| F | | | | | | | | | | | | | | F |
| E | | | | | | | | | | | | | | E |
| D | | | | | | | | | | | | | | D |
| C | | | | | | | | | | | | | | C |



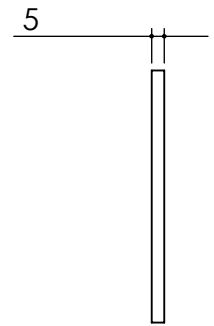
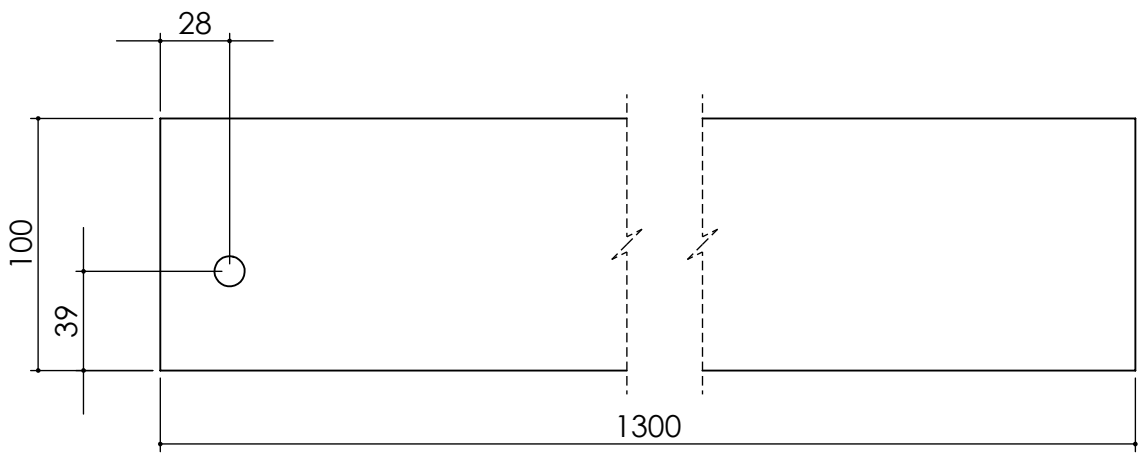
REDACTED



REDACTED

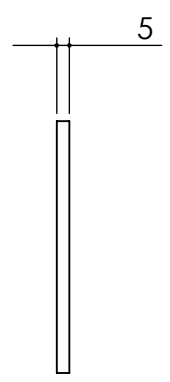
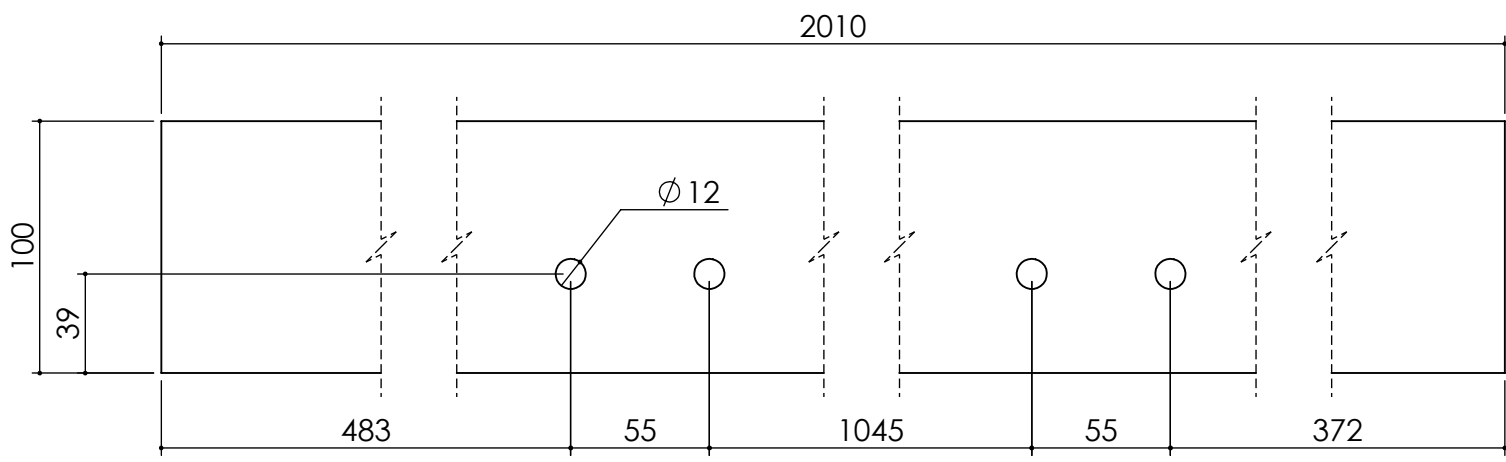
REDACTED

| | | | | | | | | | | | | | | |
|----|----|----|----|----|----|---|---|---|---|---|---|---|---|----------|
| 15 | 14 | 13 | 12 | 11 | 10 | 9 | 8 | 7 | 6 | 5 | 4 | 3 | I | REDACTED |
| R | | | | | | | | | | | | | | |
| P | | | | | | | | | | | | | | P |
| N | | | | | | | | | | | | | | N |
| M | | | | | | | | | | | | | | M |
| L | | | | | | | | | | | | | | L |
| K | | | | | | | | | | | | | | K |
| J | | | | | | | | | | | | | | J |
| H | | | | | | | | | | | | | | H |
| G | | | | | | | | | | | | | | G |
| F | | | | | | | | | | | | | | F |
| E | | | | | | | | | | | | | | E |
| D | | | | | | | | | | | | | | D |
| C | | | | | | | | | | | | | | C |

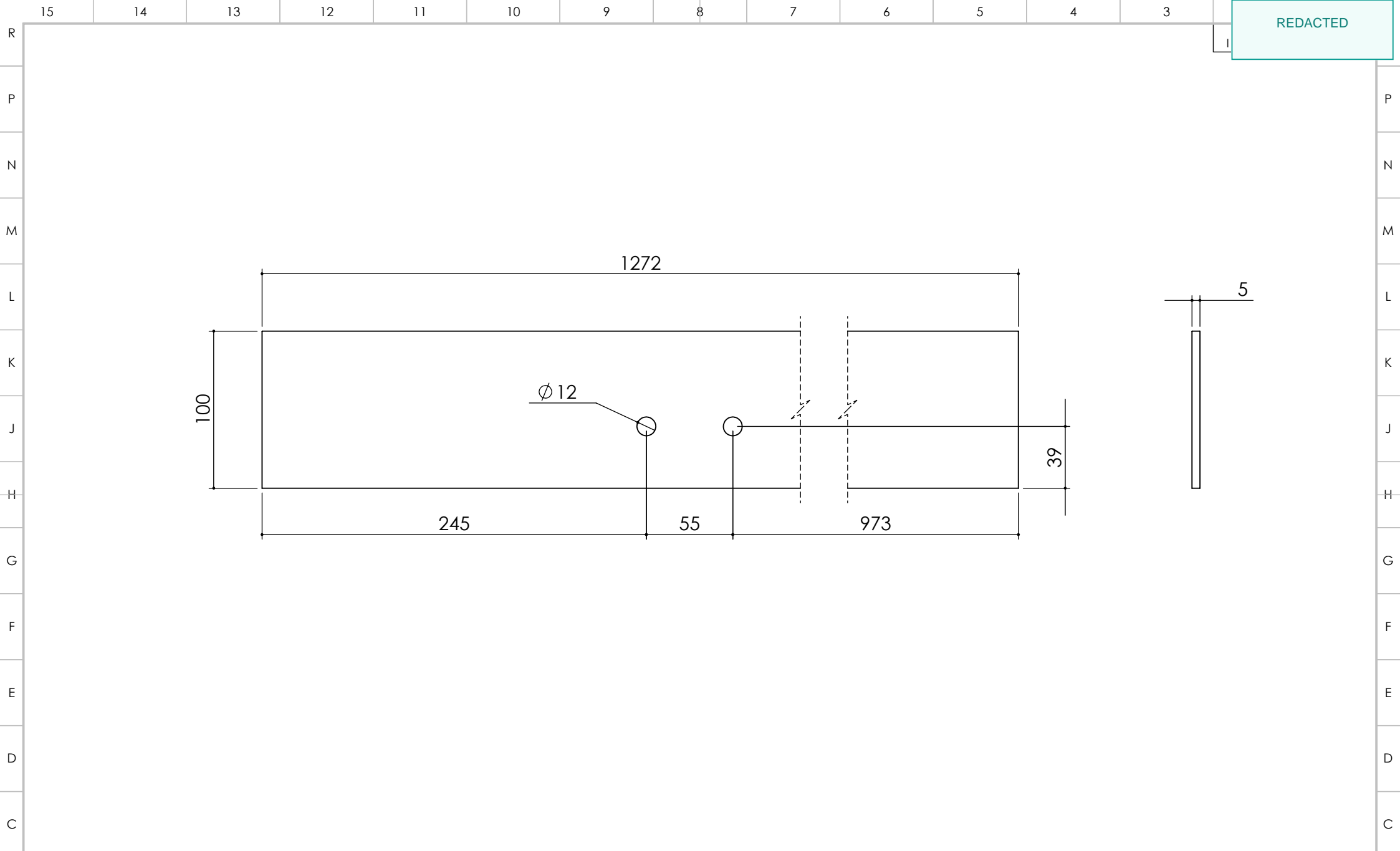


REDACTED

REDACTED



REDACTED



REDACTED

REDACTED