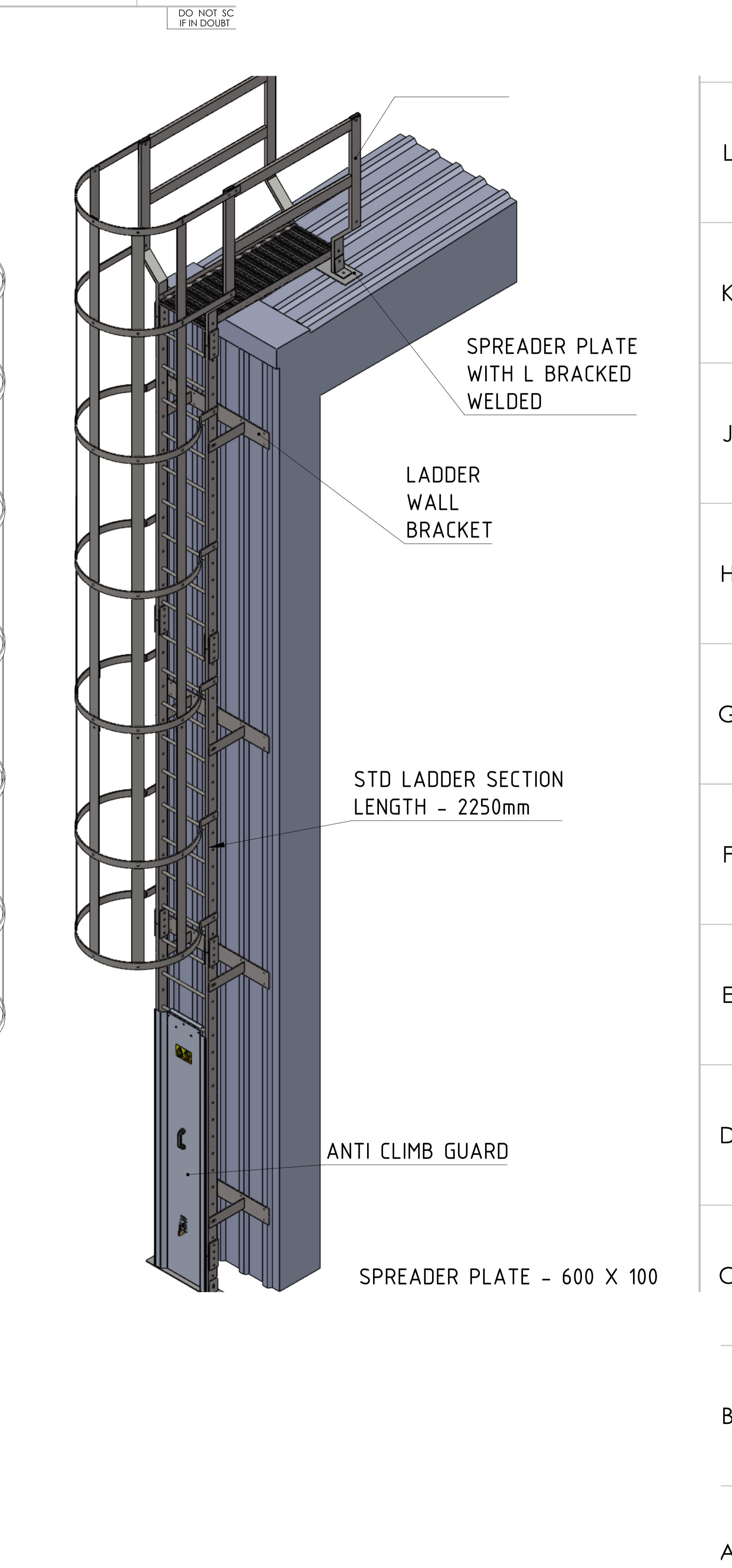
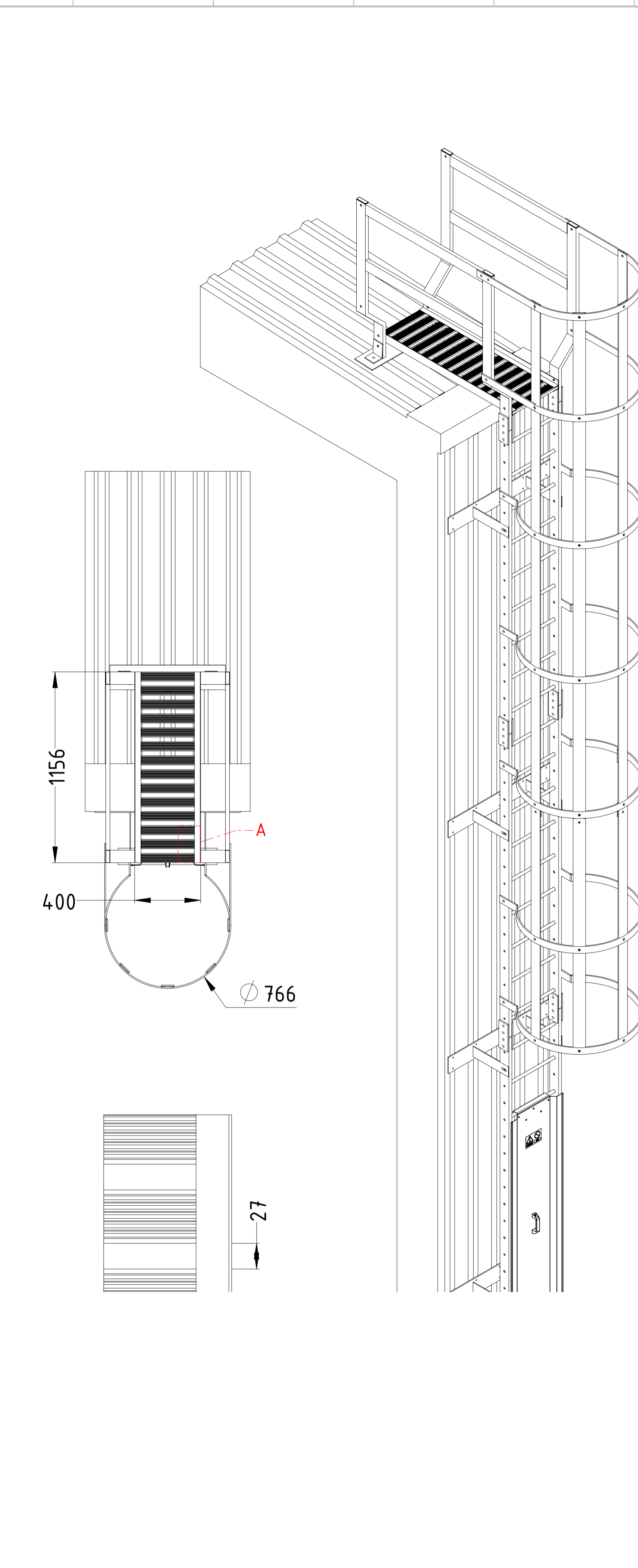
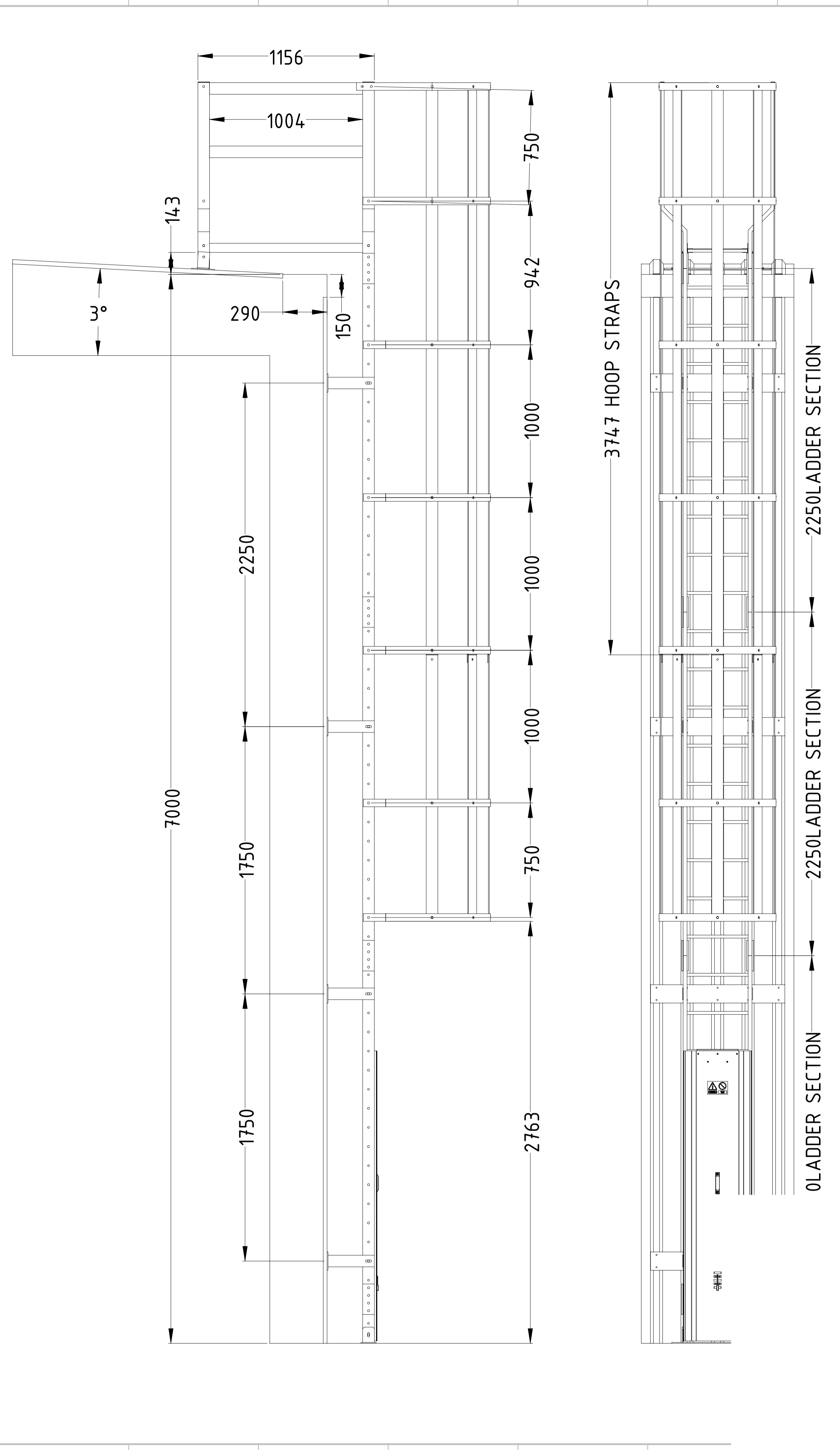


16 15 14 13 12 11 10 9 8 7 6 5 4

DO NOT SC
IF IN DOUBT

M
L
K
J
H
G
F
E
D
C
B
A



L
K
J
H
G
F
E
D
C
B
A

16 15 14 13 12 11